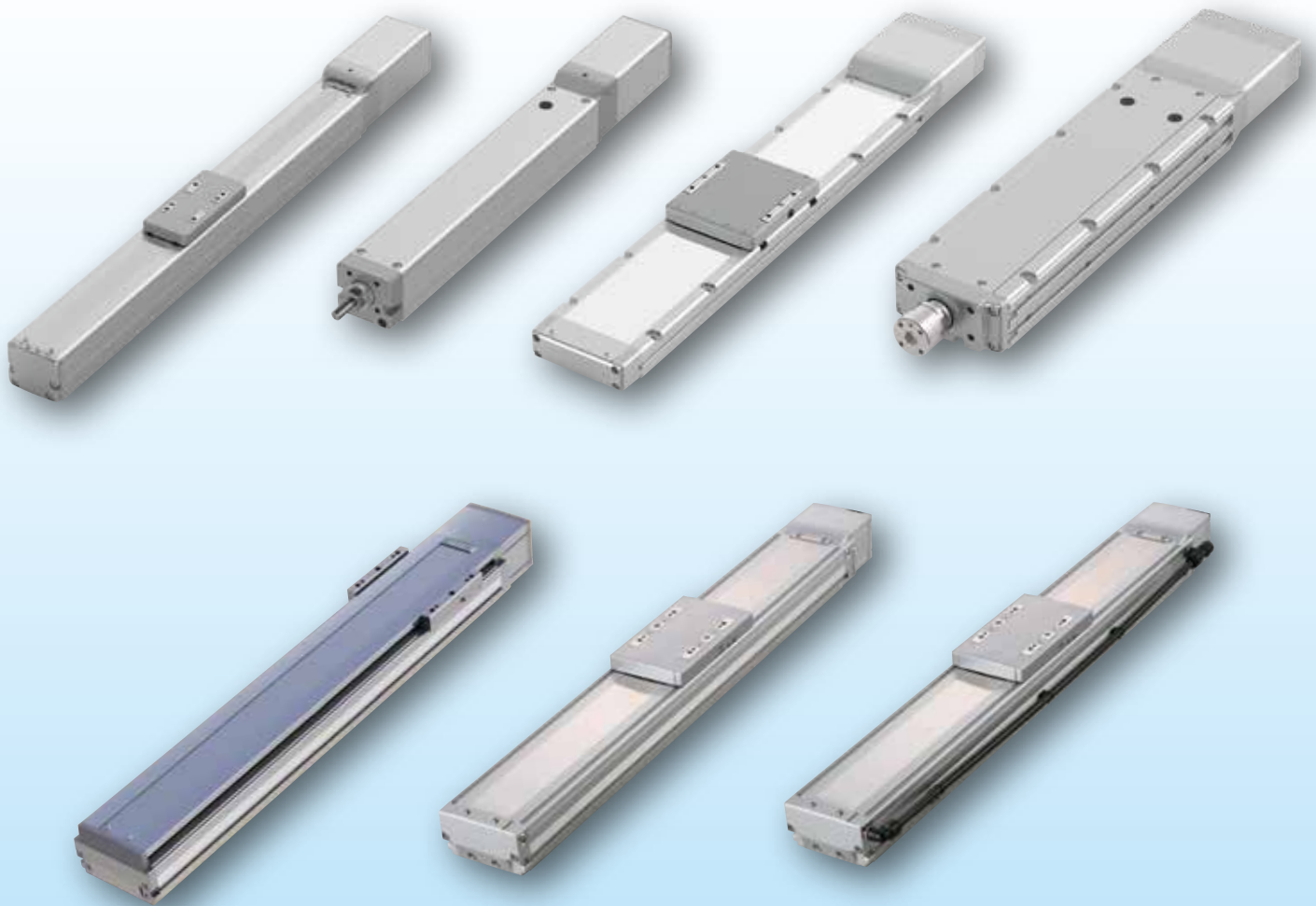


Special Specification Products

Information on Dedicated Models

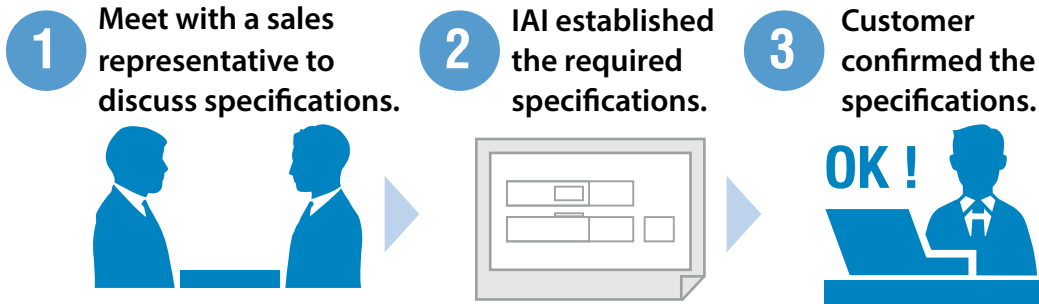


Special Specification Products

Dedicated models of the most requested special specifications

Shortening lead time for shipment

Before...



From now on...

Check the specifications using this catalog.



Place an order

Shorten lead time by **3 days** or more.

Easy ordering

All you need is to specify a dedicated model number in the options section!

Example of model identification

RCP6 - SA7C - WA - 56P - 24 - 800 - P3 - S - **ZVL**

with joint specification (left side)

Shorter Lead Time!

Placing an order by specifying the model only.

Selectable dedicated models and available models

Selectable dedicated model		Available model																Reference page										
		RCP6				RCP6S				RCP6 CR	RCP6S CR	RCS4				RCS4 CR	ISB		ISDB	ISDB CR								
Code	Product name	S A	R A	R R A	T A	W S A	W R A	S A	R A	R R A	T A	W S A	W R A	S A	W S A	S A	S A	R A	R R A	T A	W S A	W R A	S A	W S A	ISB	ISDB	ISDB CR	
ZAC03 (Note 1)	Actuator cable exit spec. (cable length 0.3m)	●	●	●	●	●	●	-	-	-	-	-	-	●	●	-	-	-	-	-	-	-	-	-	-	-	-	P.3 } P.4
ZAC20 (Note 1)	Actuator cable exit spec. (cable length 2.0m)	●	●	●	●	●	●	-	-	-	-	-	-	●	●	-	-	-	-	-	-	-	-	-	-	-	-	P.3 } P.4
ZG1	Non-standard grease (Kuroda C grease)	●	●	●	●	●	●	●	●	●	●	●	●	-	-	-	●	●	●	●	●	●	-	-	●	●	-	P.5 } P.6
ZG3	Non-standard grease (AFF grease)	●	●	●	●	●	●	●	●	●	●	●	●	-	-	-	●	●	●	●	●	●	●	●	●	●	●	P.5 } P.6
ZG4	Non-standard grease (AFE-CA grease)	●	●	●	●	●	●	●	●	●	●	●	●	-	-	-	●	●	●	●	●	●	●	●	●	●	●	P.5 } P.6
ZVL (Note 3)	With joint specification (left side)	●	-	-	-	●	-	●	-	-	-	●	-	-	-	-	●	-	-	-	●	-	-	-	-	●	-	P.7
ZVR (Note 3)	With joint specification (right side)	●	-	-	-	●	-	●	-	-	-	●	-	-	-	-	●	-	-	-	●	-	-	-	-	●	-	P.7
ZLST	Non-standard stroke specification	●	-	-	-	-	●	-	-	-	-	-	●	-	●	●	-	-	-	-	-	●	-	●	●	●	-	P.9 } P.10

(Note 1) SA8 □, RA8 □, RRA8 □, WSA16 □, and WRA16 □ types are not available.

(Note 2) Side-mounted motor type with 120mm stroke or smaller is not compatible with flange "FL."

(Note 3) ZVL is not compatible with motor side-mounted motor to the left "ML" and ZVR is not compatible with motor side-mounted motor to the right "MR."

You can customize the following specifications!

	Desired specification	Combination example of dedicated models to be chosen.	Reference page
1	To prevent foreign matter contamination into the motor and connector of the robot as much as possible. (Actuator cable + gasket)	ZAC03 or ZAC20 [Actuator cable exit specification]	P.3 ~ P.4
2	To use proper grease suitable for the application. (Non-standard grease designation)	ZG1, ZG3 or ZG4 [Non-standard grease designation]	P.5 ~ P.6
3	To prevent foreign matter contamination into the robot as much as possible. (with joint for air purge)	ZVL or ZVR [with joint specification]	P.7
4	To use side-mounted motor type with low dust emission. (Low dust-emission of side-mounted motor type)	ZVL or ZVR [with joint specification]	P.8
		ZG1, ZG3 or ZG4 [Non-standard grease specification (low dust-emission)] SR (normal option) [slider roller specification]	
5	Need a stroke longer than the standard product. (Non-standard stroke designation)	ZLST (Non-standard stroke specification)	P.9 ~ P.10

Caution

* Dedicated models specified in this catalog are special specification products. After-sales service is provided equivalent to the standard products. However, troubles caused by usage condition and special specifications are not covered by warranty. Make sure to select products after carefully confirming usability.

* Refer to catalogs and manuals of the standard models for specifications and cautions not specified in this catalog.

* Dedicated CAD data is available. Contact IAI sales representatives for details.

1

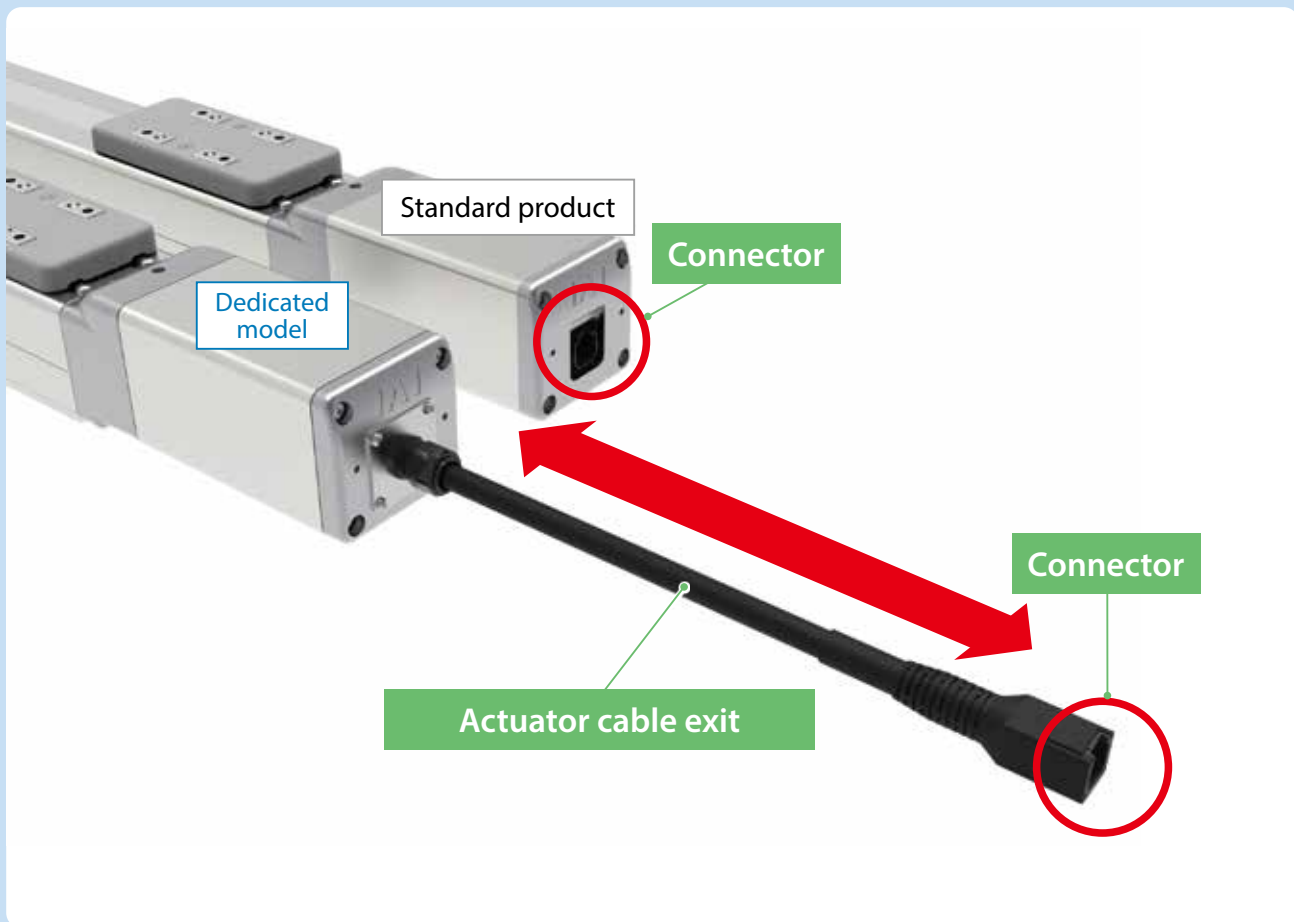
Actuator Cable + Gasket

Recommended for these users!



To prevent foreign matter contamination into the motor and connector of the robot as much as possible.

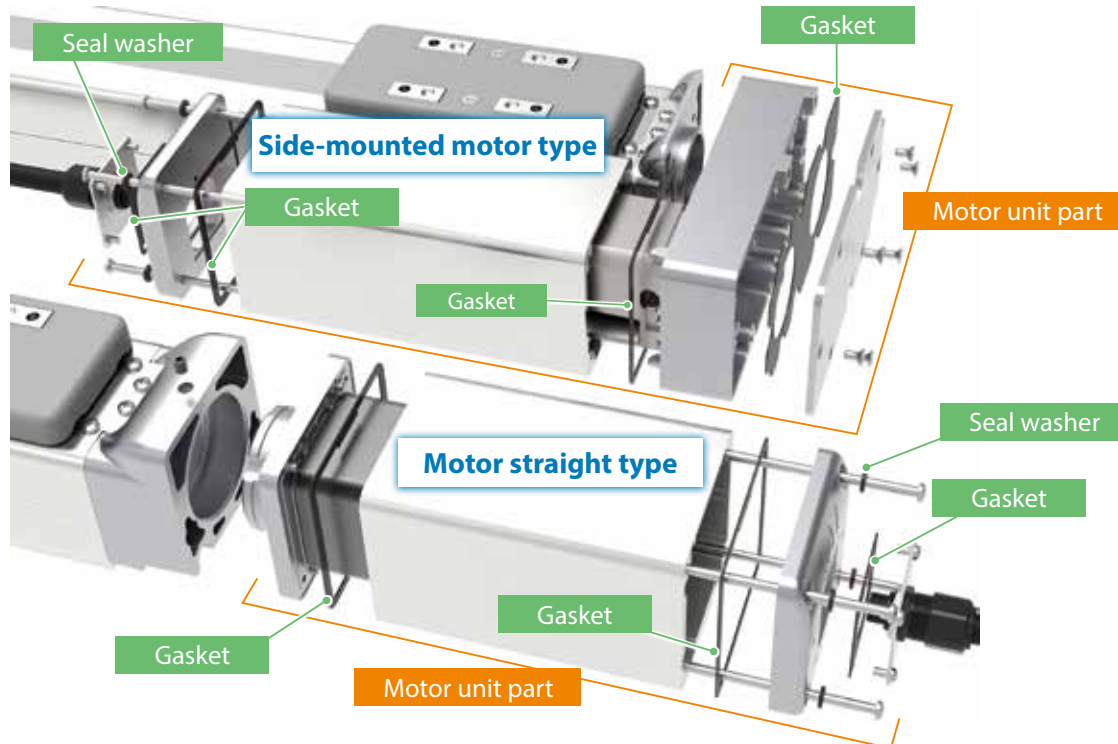
The actuator cable is taken out in order to place the connector away from the main unit. It is compatible with the optional cable exit direction. It is also expected to reduce contamination of foreign matter into the motor unit thanks to the gasket.



Caution

The overall length is extended for the taken out actuator cable. There is no gasket between the main unit and the motor unit.

Mechanical structure of the motor unit part



Thanks to the improved sealing performance of the motor unit, it is difficult for foreign matter to enter inside.

Available models

RCP6 Series

SA8□, RA8□, RRA8□, WSA16□ and WRA16□ types are not available.

RA□R, RRA□R and WRA□R (rod type side-mounted motor type) with 120mm or shorter stroke are not compatible with the flange option.

Refer to **P.29-30** for dimensions.

Selectable cable length and dedicated models

Cable length 0.3m ➡ Dedicated model: **ZAC03**

Cable length 2.0m ➡ Dedicated model: **ZAC20**

Order method | Specify the dedicated model with a desired cable length in the options section.

Example of
model identification

RCP6 - SA7C - WA - 56P - 24 - 800 - P3 - S - **ZAC03**

Options section



2

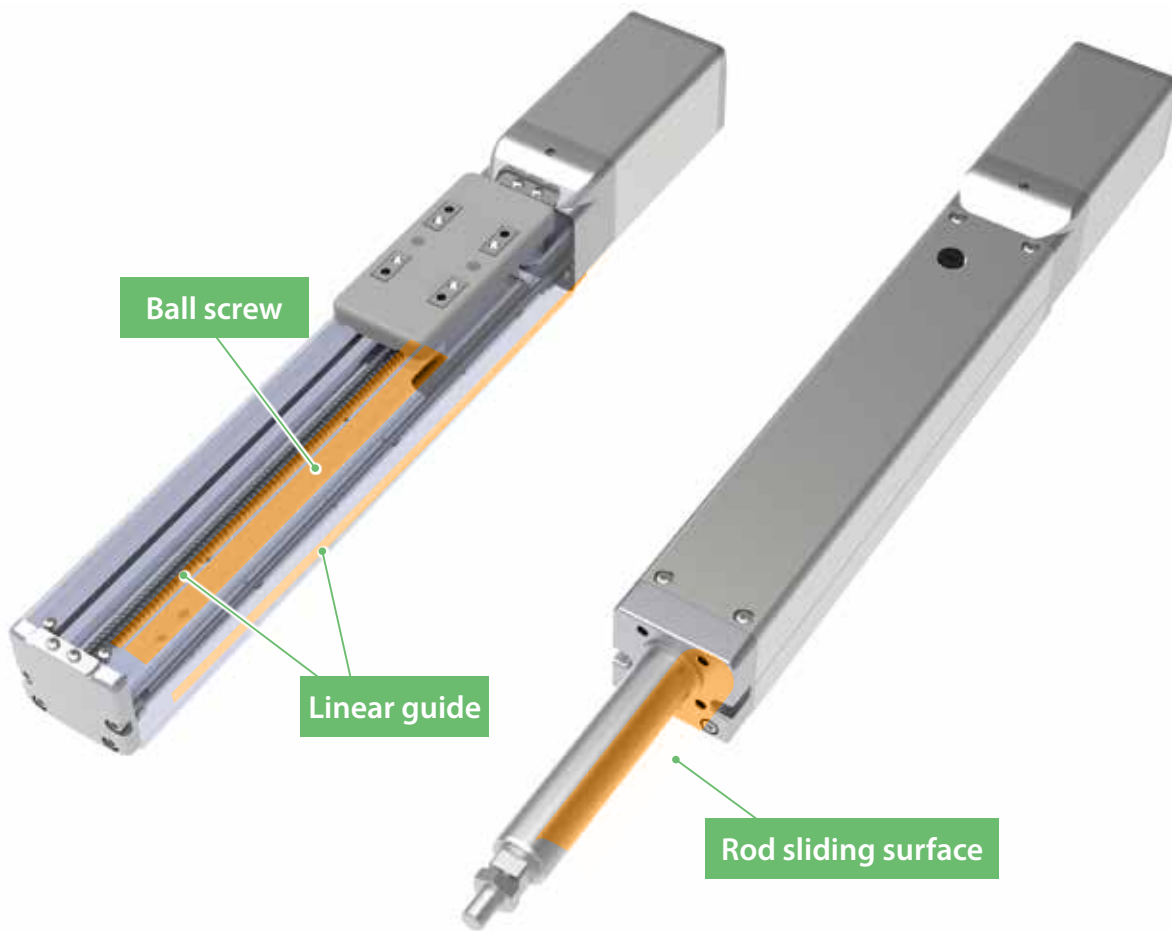
Non-Standard Grease Designation

Recommended for these users!



To use proper grease suitable for the application.

This specification is to change grease for the actuator ball screw, linear guide and rod sliding surface.



Caution

Non-standard grease may increase sliding resistance and could affect specifications such as payload capacity, speed, acceleration and operational life of the product.

Available models

Series	Type	Remarks
RCP6 RCP6S	SA4R/WSA10R	*Three grease types can be selected as standard for SA□C/WSA□C (slider type / motor straight) and RCP6CR.
	SA6R/WSA12R	
	SA7R/WSA14R	
	SA8R/WSA16R	
	RA4□/RRA4□/WRA10□	
	RA6□/RRA6□/WRA12□	
	RA7□/RRA7□/WRA14□	
	RA8□/RRA8□/WRA16□	
TA4□/TA6□/TA7□		
RCS4	SA4□/WSA10□	
	SA6□/WSA12□(except for lead 30mm)	
	SA7□/WSA14□(except for lead 36mm)	
	SA8□/WSA16□(except for lead 48mm)	
	RA4□/RRA4□/WRA10□	
	RA6□/RRA6□/WRA12□	
	RA7□/RRA7□/WRA14□	
	RA8□/RRA8□/WRA16□	
TA4□/TA6□/TA7□		
RCS4CR	SA4C/WSA10C	* ZG1 cannot be selected because the Kuroda C grease is standard.
	SA6C/WSA12C	
	SA7C/WSA14C	
	SA8C/WSA16C	
ISB ISPb	SXM/SXL(except for lead 36mm)	
	MXM/MXL/MXMX(except for lead 48mm)	
	LXM/LXL/LXMX/LXUWX	
ISDB ISPDB	S(except for lead 36mm)	
	M/MX(except for lead 48mm)	
	L/LX	
ISDBCR ISPDBCR	S(except for lead 36mm)	* ZG1 cannot be selected because the Kuroda C grease is standard.
	M/MX(except for lead 48mm)	
	L/LX	

Selectable grease and dedicated models


Koroda C grease (low dust emission grease for clean environment) ➡ Dedicated model: **ZG1**

AFF grease (low dust emission grease for clean environment) ➡ Dedicated model: **ZG3**

AFE-CA grease (low dust emission grease for clean environment) ➡ Dedicated model: **ZG4**

Order method | Specify a dedicated model of the desired grease in the options section.

Example of
model identification

RCP6 - SA7C - WA - 56P - 24 - 800 - P3 - S - 

Options section

3

With Joint for Air Purge

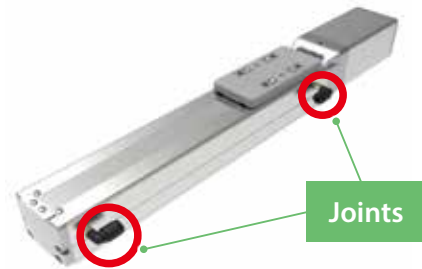
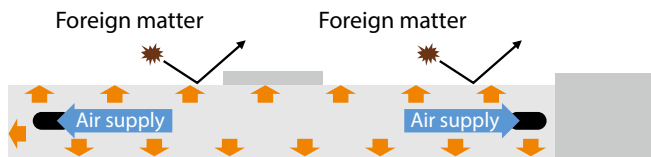
External view on P.28

Recommended for these users!



To prevent foreign matter contamination in the robot main unit as much as possible.

A joint is added on the actuator side surface. By supplying air from joints to raise internal pressure of the actuator, it is expected to reduce contamination of foreign matter.



Caution

For air purge, use clean dry air that does not contain compressor oil or the like. Air quality may cause malfunction of operation. Higher air pressure may also cause floating of the stainless sheet. Warranty does not cover the degree of protection.

Available models

RCP6/RCS4 Series, Slider/Wide slider types and ISDB Series

Refer to P.28 for dimensions of the joints and outer diameter of the connecting tube.

Direction of the joint mounting and dedicated models

Mounting on the left → Dedicated model: **ZVL**

Mounting on the right → Dedicated model: **ZVR**



Order method

Specify the dedicated model of the joint mounting direction in the options section.

Example of model identification

RCP6 - SA7C - WA - 56P - 24 - 800 - P3 - S - **ZVL**



4

Low Dust-Emission Specification of the Side-Mounted Motor Type

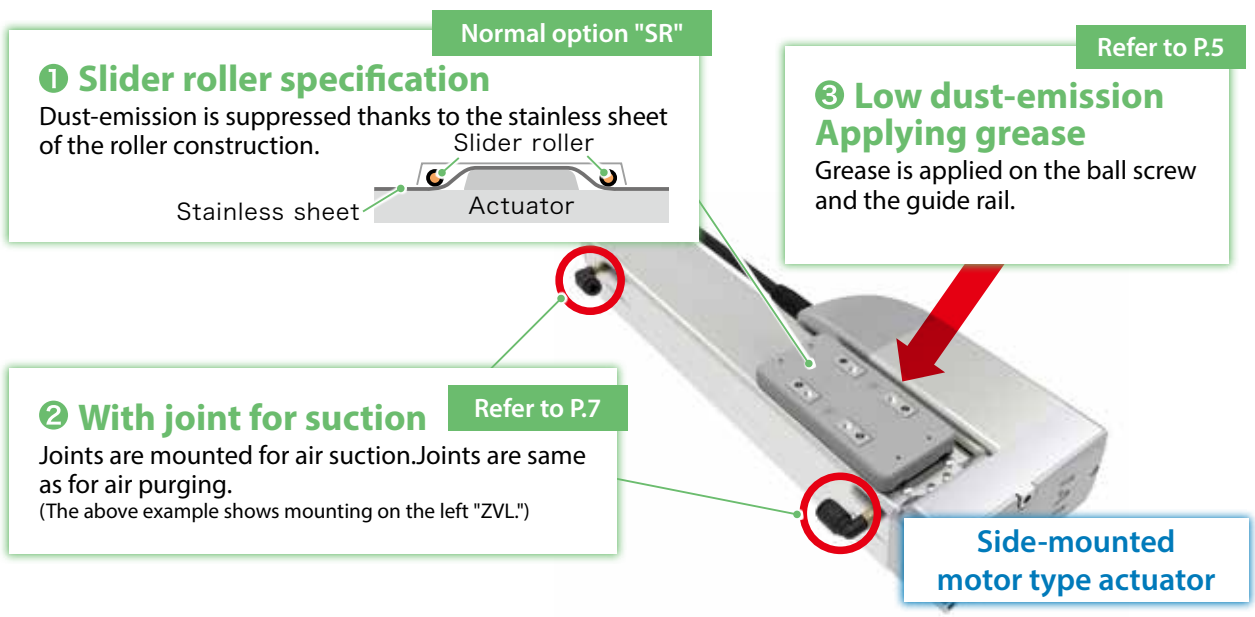
External view on P.28

Recommended for these users!



To use side-mounted motor type with low dust emission.

"Low-dust emission specification" of side-mounted motor type is achieved by adding the following specifications of ① to ③.



Caution

Side-mounted motor type uses a timing belt that emits dust due to its construction. Therefore, warranty does not cover cleanliness.

Available models

Confirm the models on P.2.

(With joint for suction: ZVL and ZVR, Low-dust emission grease: ZG1, ZG3 and ZG4)

Refer to P.28 for dimensions of the joints and outer diameter of the connecting tube.

Order method | Specify "SR-ZG□-ZV□" in the options section.

Example of model identification

RCP6 - SA7R - WA - 56P - 24 - 800 - P3 - S - MR - SR-ZG1-ZVL

Options section
▲

5

Non-Standard Stroke Specification

Recommended for these users!



Need a stroke longer than the standard product.

This specification is to make the stroke longer than the standard one.



Caution

Available only for the slider type.

The maximum speed becomes lower than that of the standard specification because of the limitation on the critical rotational speed of the ball screw.

Available models

Series	Type	Stroke	Reference page
RCP6 RCP6CR (Only SA□C is available for RCP6CR)	SA4C / SA4R	550~600mm	P.11
	SA6C / SA6R	850~1000mm	P.12
	SA7C / SA7R	850~1100mm	P.13
	SA8C / SA8R	1150~1300mm	P.14
RCP6S RCP6SCR (Only SA□C is available for RCP6SCR)	SA4C / SA4R	550~600mm	P.15
	SA6C / SA6R	850~1000mm	P.16
	SA7C / SA7R	850~1100mm	P.17
	SA8C / SA8R	1150~1300mm	P.18
RCS4 RCS4CR (Only SA□C is available for RCS4CR)	SA4C / SA4R	550~800mm	P.19
	SA6C / SA6R	850~1000mm	P.20
	SA7C / SA7R	850~1200mm	P.21
	SA8C / SA8R	1150~1300mm	P.22
ISB ISPB	SXM	950~1100mm	P.23
	SXL	930~1080mm	
	MXM	1150~1300mm	P.24
	MXL	1120~1270mm	
	LXM	1350~1600mm	P.25
	LXL	1320~1570mm	
ISDB ISPDB ISDBCR ISPDBCR	S	850~1100mm	P.26
	M	1150~1300mm	
	L	1350~1600mm	P.27

* Refer to individual reference page for available lead, dimensions and max. speed.

Order method

Specify "ZLST" in the option section and a desired stroke value in the stroke section.

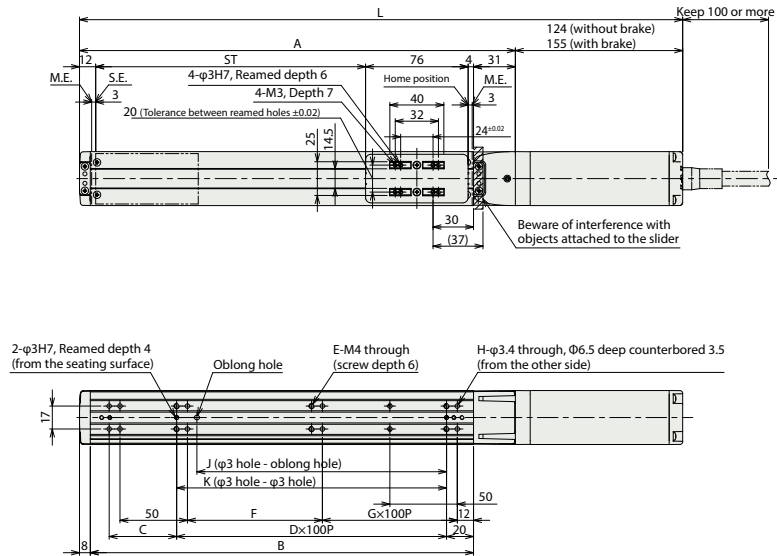
Example of
model identification

RCP6 - SA7C - WA - 56P - 24 - ^{Stroke section}1000 - P3 - S - ^{Options section}ZLST
 ↑
 Desired stroke

Non-standard stroke specification Dimensions/Mass/Max. speed

■ RCP6-SA4C / RCP6CR-SA4C

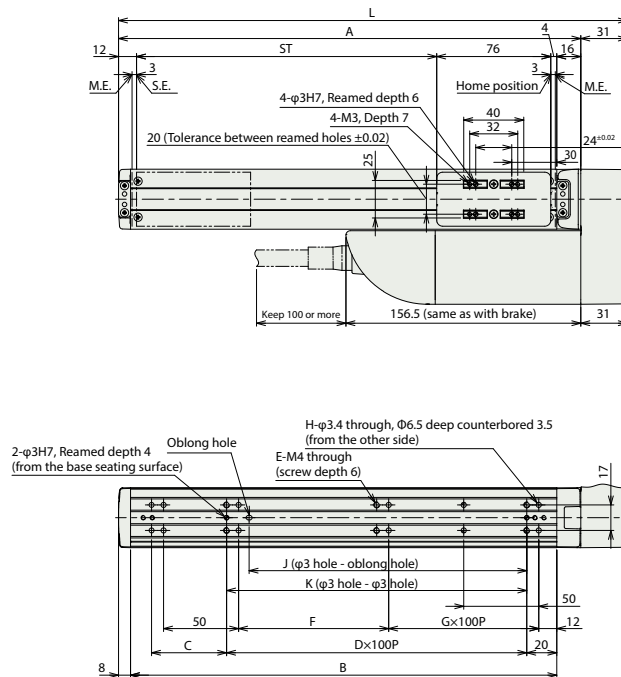
	Stroke	550	600
L	without brake	797	847
	with brake	828	878
A		673	723
B		634	684
C		100	50
D		5	6
E		14	16
F		50	100
G		5	5
H		18	18
J		485	585
K		500	600
Mass (kg)	without brake	2.0	2.1
	with brake	2.2	2.2
max. speed (mm/s)	Lead 2.5	115	95
	Lead 5	230	195
	Lead 10	465	395
	Lead 16	735	630



ST: Stroke
M.E.: Mechanical end
S.E.: Stroke end

■ RCP6-SA4R

	Stroke	550	600
L		689	739
A		658	708
B		634	684
C		100	50
D		5	6
E		14	16
F		50	100
G		5	5
H		18	18
J		485	585
K		500	600
Mass (kg)	without brake	2.2	2.3
	with brake	2.3	2.3
max. speed (mm/s)	Lead 2.5	115	95
	Lead 5	230	195
	Lead 10	465	395
	Lead 16	735	630

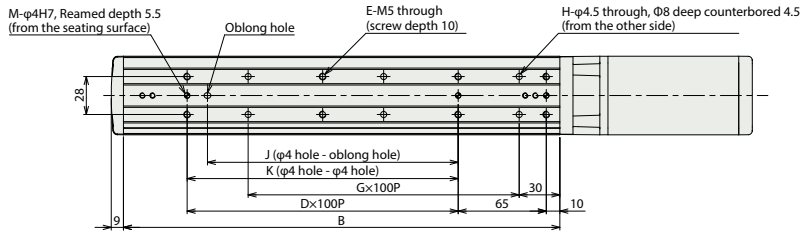
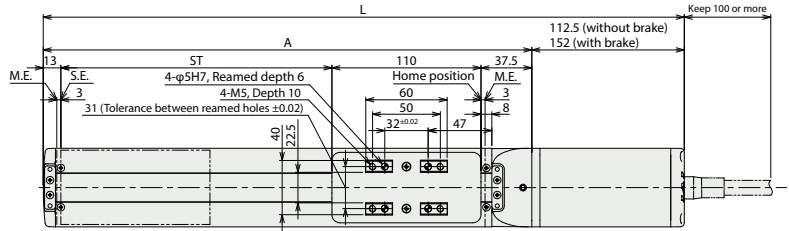


ST: Stroke
M.E.: Mechanical end
S.E.: Stroke end

Non-standard stroke specification Dimensions/Mass/Max. speed

■ RCP6-SA6C / RCP6CR-SA6C

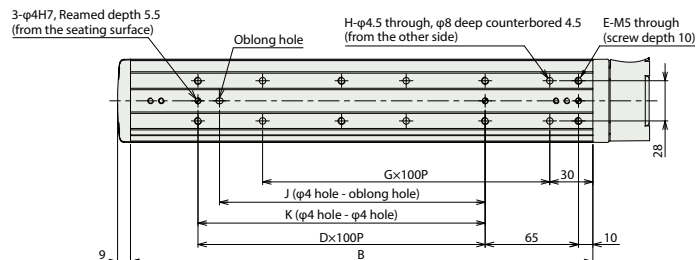
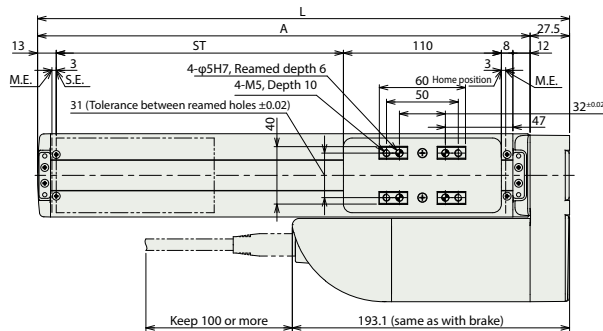
Stroke	850	900	950	1000	
L	without brake	1123	1173	1223	1273
	with brake	1162.5	1212.5	1262.5	1312.5
A	1010.5	1060.5	1110.5	1160.5	
B	972	1022	1072	1122	
D	8	9	9	10	
E	20	22	22	24	
G	9	9	10	10	
H	20	20	22	22	
J	785	885	885	985	
K	800	900	900	1000	
M	3	3	3	3	
Mass (kg)	without brake	4.7	4.9	5.0	5.2
	with brake	5.0	5.1	5.3	5.4
max. speed (mm/s)	Lead 3	Not supported			
	Lead 6	140	125	Not supported	
	Lead 12	280	255	230	210
	Lead 20	515	465	420	380



ST: Stroke
M.E.: Mechanical end
S.E.: Stroke end

■ RCP6-SA6R

Stroke	850	900	950	1000	
L	1020.5	1070.5	1120.5	1170.5	
A	993	1043	1093	1143	
B	972	1022	1072	1122	
D	8	9	9	10	
E	20	22	22	24	
G	9	9	10	10	
H	20	20	22	22	
J	785	885	885	985	
K	800	900	900	1000	
Mass (kg)	without brake	5.0	5.2	5.4	5.5
	with brake	5.1	5.3	5.4	5.6
max. speed (mm/s)	Lead 3	Not supported			
	Lead 6	140	125	Not supported	
	Lead 12	280	255	230	210
	Lead 20	515	465	420	380

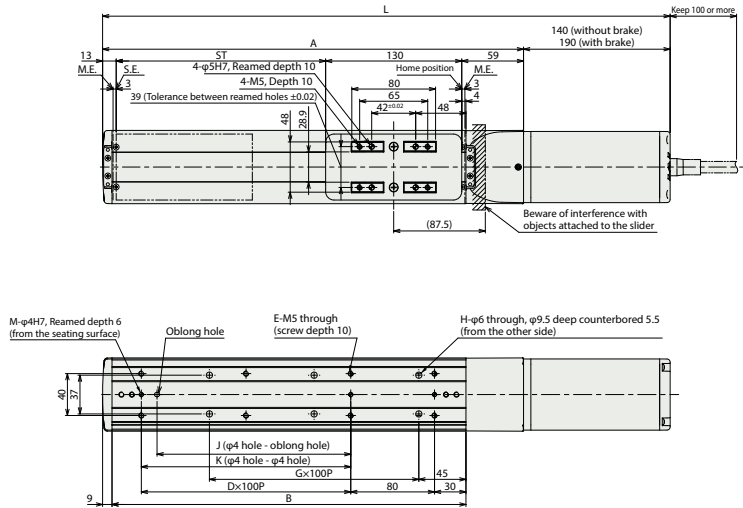


ST: Stroke
M.E.: Mechanical end
S.E.: Stroke end

Non-standard stroke specification Dimensions/Mass/Max. speed

■ RCP6-SA7C / RCP6CR-SA7C

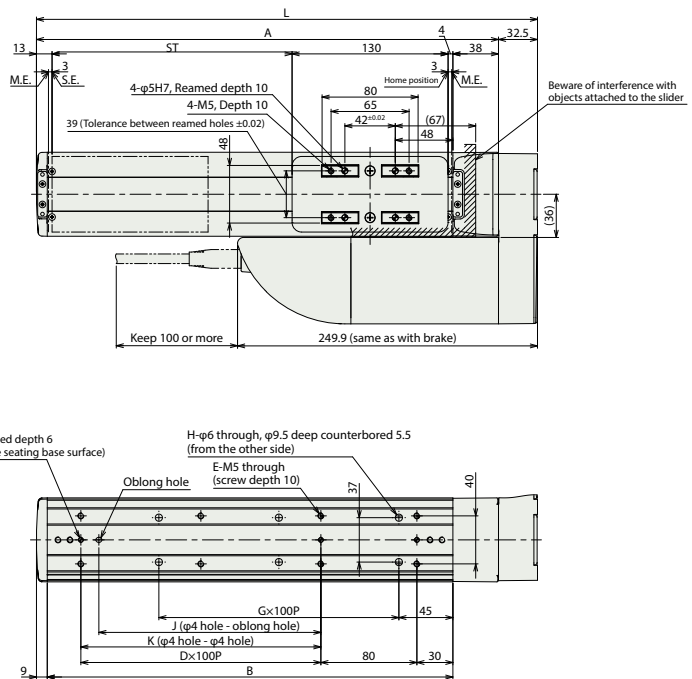
Stroke		850	900	950	1000	1050	1100
L	without brake	1192	1242	1292	1342	1392	1442
	with brake	1242	1292	1342	1392	1442	1492
A		1052	1102	1152	1202	1252	1302
B		988	1038	1088	1138	1188	1238
D		8	9	9	10	10	11
E		20	22	22	24	24	26
G		9	9	10	10	11	11
H		20	20	22	22	24	24
J		785	885	885	985	985	1085
K		800	900	900	1000	1000	1100
M		3	3	3	3	3	3
Mass (kg)	without brake	7.2	7.4	7.7	7.9	8.1	8.4
	with brake	7.7	7.9	8.1	8.3	8.6	8.8
max. speed (mm/s)	Lead 4	Not supported					
	Lead 8	220	200	Not supported			
	Lead 16	445	400	365	330	300	275
	Lead 24	680	615	555	505	460	425



ST: Stroke
M.E.: Mechanical end
S.E.: Stroke end

■ RCP6-SA7R

Stroke		850	900	950	1000	1050	1100
L		1067.5	1117.5	1167.5	1217.5	1267.5	1317.5
A		1035	1085	1135	1185	1235	1285
B		988	1038	1088	1138	1188	1238
D		8	9	9	10	10	11
E		20	22	22	24	24	26
G		9	9	10	10	11	11
H		20	20	22	22	24	24
J		785	885	885	985	985	1085
K		800	900	900	1000	1000	1100
Mass (kg)	without brake	7.8	8.0	8.3	8.5	8.7	8.9
	with brake	7.9	8.1	8.4	8.6	8.8	9.0
max. speed (mm/s)	Lead 4	Not supported					
	Lead 8	220	200	Not supported			
	Lead 16	445	400	365	330	300	275
	Lead 24	680	615	555	505	460	425

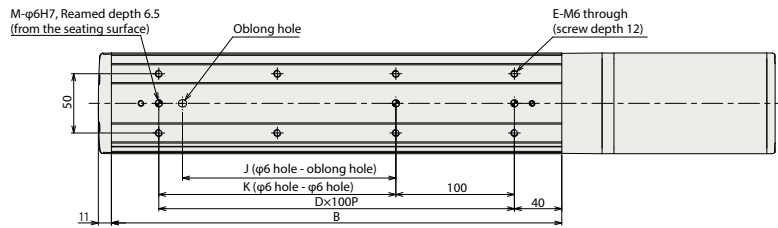
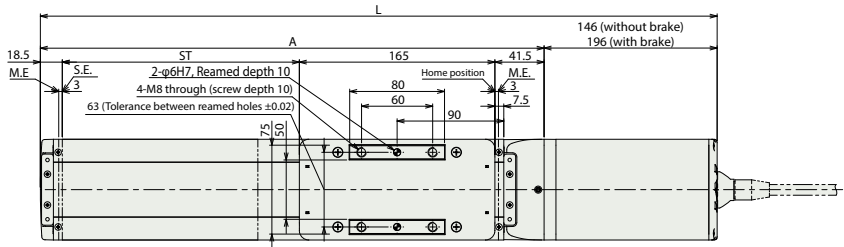


ST: Stroke
M.E.: Mechanical end
S.E.: Stroke end

Non-standard stroke specification Dimensions/Mass/Max. speed

■ RCP6-SA8C / RCP6CR-SA8C

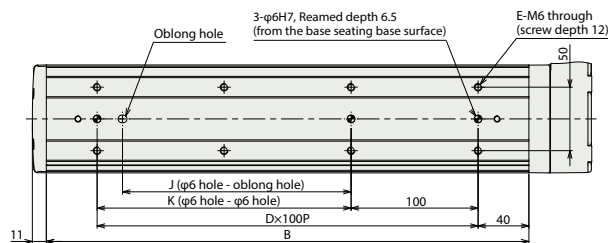
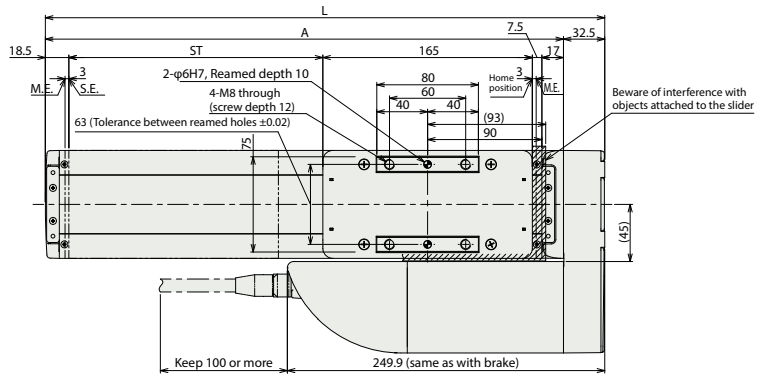
Stroke		1150	1200	1250	1300
L	without brake	1521	1571	1621	1671
	with brake	1571	1621	1671	1721
A		1375	1425	1475	1525
B		1330	1380	1430	1480
D		12	13	13	14
E		26	28	28	30
J		1080	1180	1180	1280
K		1100	1200	1200	1300
M		3	3	3	3
Mass (kg)	without brake	10.5	10.7	11.0	11.3
	with brake	11.0	11.2	11.5	11.8
max. speed (mm/s)	Lead 5	Not supported			
	Lead 10	200	185	170	160
	Lead 20	405	375	345	320
	Lead 30	610	565	525	485



ST: Stroke
M.E.: Mechanical end
S.E.: Stroke end

■ RCP6-SA8R

Stroke		1150	1200	1250	1300
L		1390.5	1440.5	1490.5	1540.5
A		1358	1408	1458	1508
B		1330	1380	1430	1480
D		12	13	13	14
E		26	28	28	30
J		1080	1180	1180	1280
K		1100	1200	1200	1300
Mass (kg)	without brake	11.0	11.3	11.6	11.9
	with brake	11.2	11.5	11.7	12.0
max. speed (mm/s)	Lead 5	Not supported			
	Lead 10	200	185	170	160
	Lead 20	405	375	345	320
	Lead 30	610	565	525	485

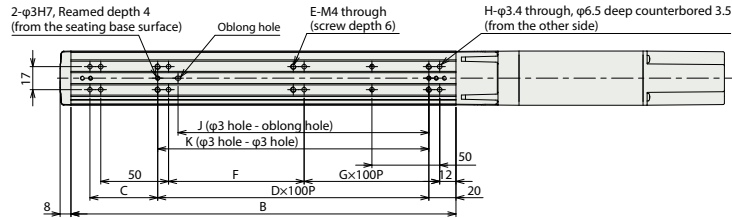
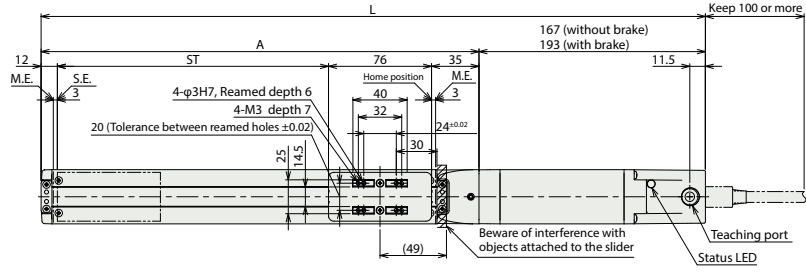


ST: Stroke
M.E.: Mechanical end
S.E.: Stroke end

Non-standard stroke specification Dimensions/Mass/Max. speed

■ RCP6S-SA4C / RCP6SCR-SA4C

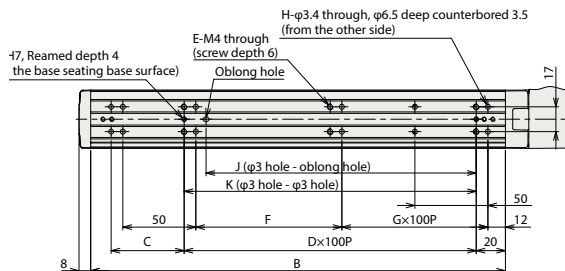
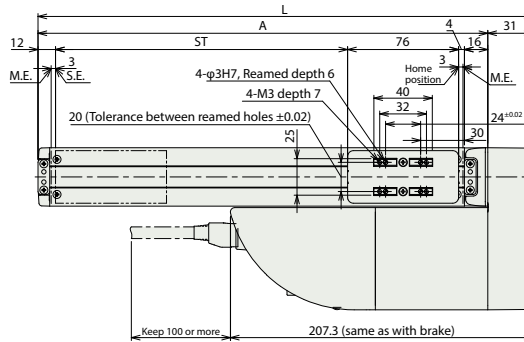
Stroke		550	600
L	without brake	840	890
	with brake	866	916
A		673	723
B		634	684
C		100	50
D		5	6
E		14	16
F		50	100
G		5	5
H		18	18
J		485	585
K		500	600
Mass (kg)	without brake	2.2	2.3
	with brake	2.3	2.4
max. speed (mm/s)	Lead 2.5	115	95
	Lead 5	230	195
	Lead 10	465	395
	Lead 16	735	630



ST: Stroke
M.E.: Mechanical end
S.E.: Stroke end

■ RCP6S-SA4R

Stroke		550	600
L		689	739
A		658	708
B		634	684
C		100	50
D		5	6
E		14	16
F		50	100
G		5	5
H		18	18
J		485	585
K		500	600
Mass (kg)	without brake	2.3	2.4
	with brake	2.4	2.5
max. speed (mm/s)	Lead 2.5	115	95
	Lead 5	230	195
	Lead 10	465	395
	Lead 16	735	630

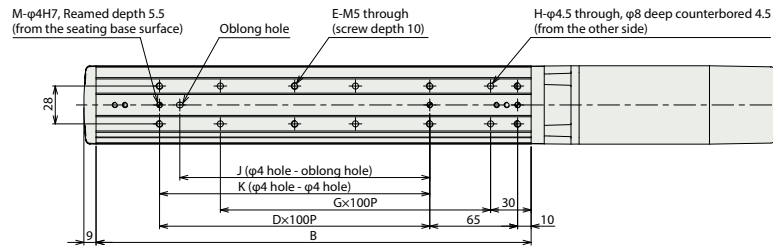
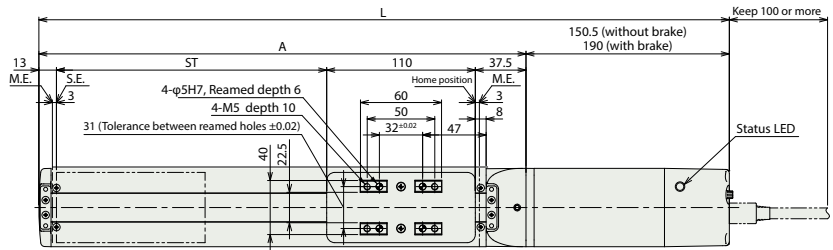


ST: Stroke
M.E.: Mechanical end
S.E.: Stroke end

Non-standard stroke specification Dimensions/Mass/Max. speed

■ RCP6S-SA6C / RCP6SCR-SA6C

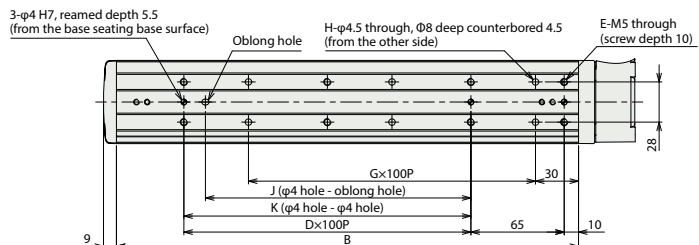
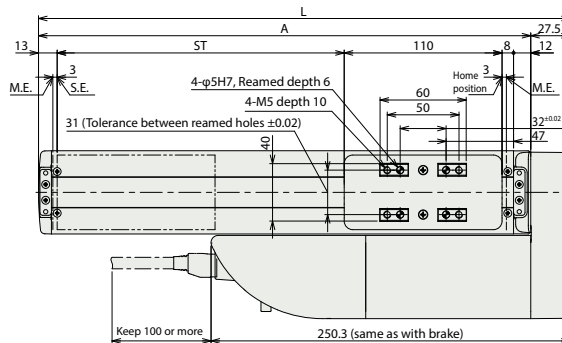
Stroke		850	900	950	1000
L	without brake	1161	1211	1261	1311
	with brake	1200.5	1250.5	1300.5	1350.5
A		1010.5	1060.5	1110.5	1160.5
B		972	1022	1072	1122
D		8	9	9	10
E		20	22	22	24
G		9	9	10	10
H		20	20	22	22
J		785	885	885	985
K		800	900	900	1000
M		3	3	3	3
Mass (kg)	without brake	4.9	5.0	5.2	5.4
	with brake	5.1	5.3	5.4	5.6
max. speed (mm/s)	Lead 3	Not supported			
	Lead 6	140	125	Not supported	
	Lead 12	280	255	230	210
	Lead 20	515	465	420	380



ST: Stroke
M.E.: Mechanical end
S.E.: Stroke end

■ RCP6S-SA6R

Stroke		850	900	950	1000
L		1020.5	1070.5	1120.5	1170.5
A		993	1043	1093	1143
B		972	1022	1072	1122
D		8	9	9	10
E		20	22	22	24
G		9	9	10	10
H		20	20	22	22
J		785	885	885	985
K		800	900	900	1000
Mass (kg)	without brake	5.2	5.3	5.5	5.7
	with brake	5.2	5.4	5.6	5.7
max. speed (mm/s)	Lead 3	Not supported			
	Lead 6	140	125	Not supported	
	Lead 12	280	255	230	210
	Lead 20	515	465	420	380

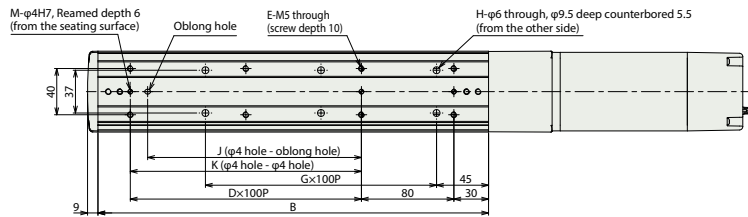
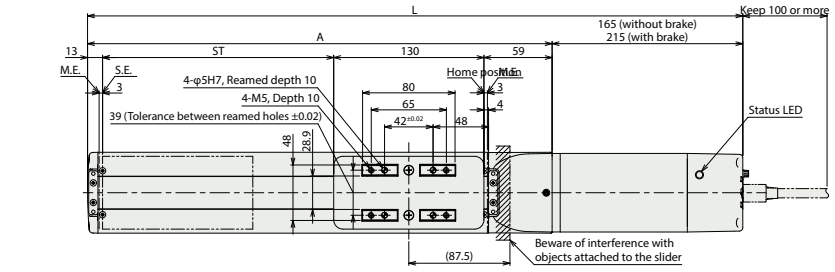


ST: Stroke
M.E.: Mechanical end
S.E.: Stroke end

Non-standard stroke specification Dimensions/Mass/Max. speed

■ RCP6S-SA7C / RCP6SCR-SA7C

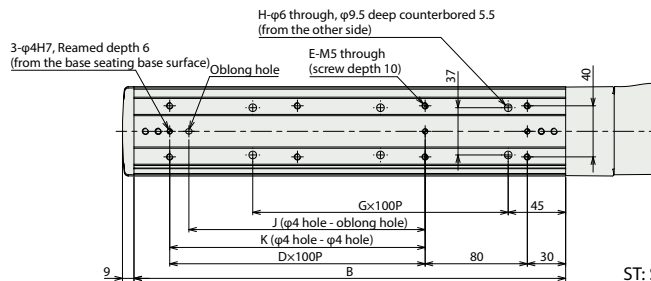
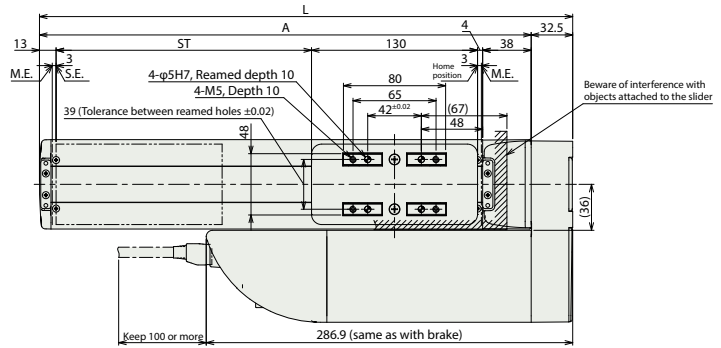
Stroke	850	900	950	1000	1050	1100	
L	without brake	1217	1267	1317	1367	1417	1467
	with brake	1267	1317	1367	1417	1467	1517
A	1052	1102	1152	1202	1252	1302	
B	988	1038	1088	1138	1188	1238	
D	8	9	9	10	10	11	
E	20	22	22	24	24	26	
G	9	9	10	10	11	11	
H	20	20	22	22	24	24	
J	785	885	885	985	985	1085	
K	800	900	900	1000	1000	1100	
M	3	3	3	3	3	3	
Mass (kg)	without brake	7.4	7.6	7.9	8.1	8.3	8.5
	with brake	7.8	8.1	8.3	8.5	8.7	9.0
max. speed (mm/s)	Lead 4	Not supported					
	Lead 8	220	200	Not supported			
	Lead 16	445	400	365	330	300	275
	Lead 24	680	615	555	505	460	425



ST: Stroke
M.E.: Mechanical end
S.E.: Stroke end

■ RCP6S-SA7R

Stroke	850	900	950	1000	1050	1100	
L	1067.5	1117.5	1167.5	1217.5	1267.5	1317.5	
A	1035	1085	1135	1185	1235	1285	
B	988	1038	1088	1138	1188	1238	
D	8	9	9	10	10	11	
E	20	22	22	24	24	26	
G	9	9	10	10	11	11	
H	20	20	22	22	24	24	
J	785	885	885	985	985	1085	
K	800	900	900	1000	1000	1100	
Mass (kg)	without brake	7.9	8.1	8.4	8.6	8.8	9.1
	with brake	8.0	8.3	8.5	8.7	8.9	9.2
max. speed (mm/s)	Lead 4	Not supported					
	Lead 8	220	200	Not supported			
	Lead 16	445	400	365	330	300	275
	Lead 24	680	615	555	505	460	425

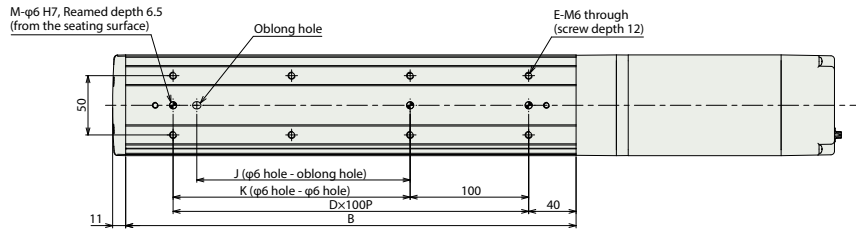
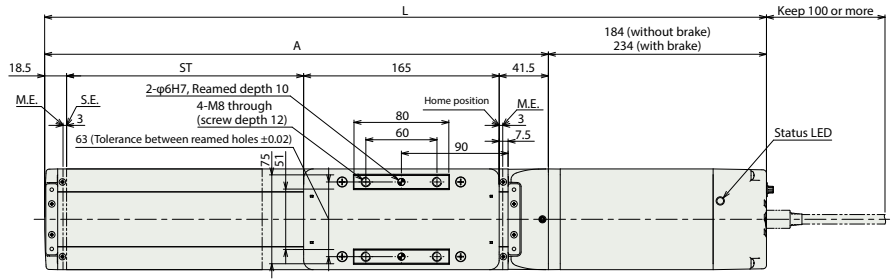


ST: Stroke
M.E.: Mechanical end
S.E.: Stroke end

Non-standard stroke specification Dimensions/Mass/Max. speed

■ RCP6S-SA8C / RCP6SCR-SA8C

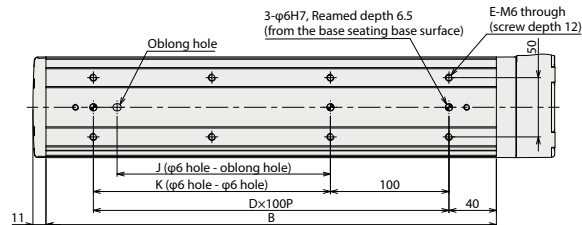
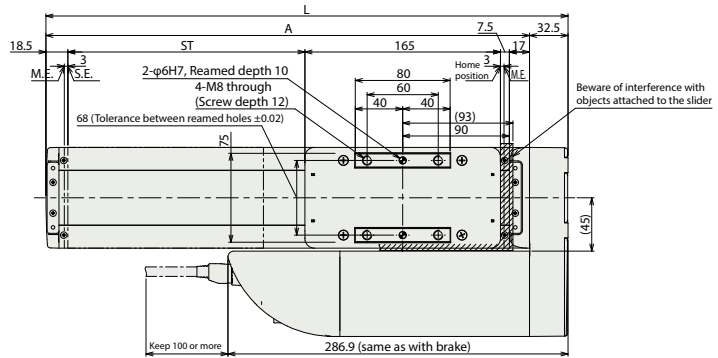
Stroke	1150	1200	1250	1300	
L	without brake	1559	1609	1659	1709
	with brake	1609	1659	1709	1759
A	1375	1425	1475	1525	
B	1330	1380	1430	1480	
D	12	13	13	14	
E	26	28	28	30	
J	1080	1180	1180	1280	
K	1100	1200	1200	1300	
M	3	3	3	3	
Mass (kg)	without brake	10.7	10.9	11.2	11.5
	with brake	11.2	11.5	11.7	12.0
max. speed (mm/s)	Lead 5	Not supported			
	Lead 10	200	185	170	160
	Lead 20	405	375	345	320
	Lead 30	610	565	525	485



ST: Stroke
M.E.: Mechanical end
S.E.: Stroke end

■ RCP6S-SA8R

Stroke	1150	1200	1250	1300	
L	1390.5	1440.5	1490.5	1540.5	
A	1358	1408	1458	1508	
B	1330	1380	1430	1480	
D	12	13	13	14	
E	26	28	28	30	
J	1080	1180	1180	1280	
K	1100	1200	1200	1300	
Mass (kg)	without brake	11.1	11.4	11.7	12.0
	with brake	11.3	11.6	11.9	12.1
max. speed (mm/s)	Lead 5	Not supported			
	Lead 10	200	185	170	160
	Lead 20	405	375	345	320
	Lead 30	610	565	525	485

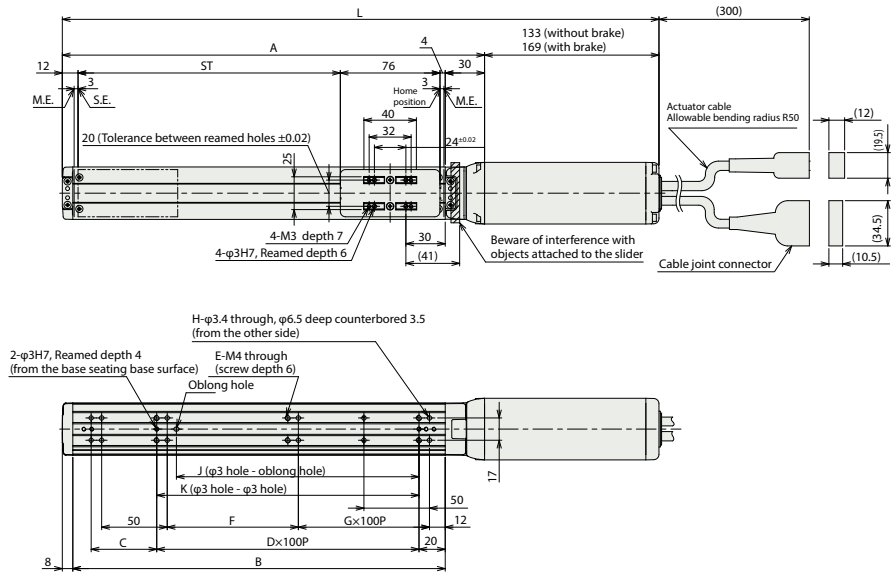


ST: Stroke
M.E.: Mechanical end
S.E.: Stroke end

Non-standard stroke specification Dimensions/Mass/Max. speed

RCS4-SA4C / RCS4CR-SA4C

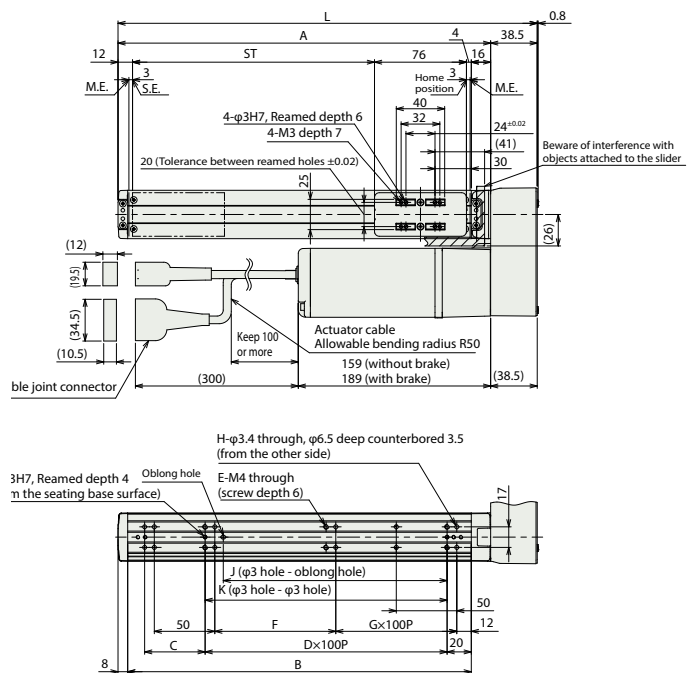
Stroke	550	600	650	700	750	800	
L	without brake	805	855	905	955	1005	1055
	with brake	841	891	941	991	1041	1091
A	672	722	772	822	872	922	
B	634	684	734	784	834	884	
C	100	50	100	50	100	50	
D	5	6	6	7	7	8	
E	14	16	16	18	18	20	
F	50	100	50	100	50	100	
G	5	5	6	6	7	7	
H	18	18	20	20	22	22	
J	485	585	585	685	685	785	
K	500	600	600	700	700	800	
Mass (kg)	without brake	2.1	2.2	2.3	2.4	2.4	2.5
	with brake	2.3	2.4	2.5	2.6	2.6	2.7
max. speed (mm/s)	Lead 2.5	Not supported					
	Lead 5	Not supported					
	Lead 10	465	395	340	300	260	Not supported
	Lead 16	735	630	540	470	415	365



ST: Stroke
M.E.: Mechanical end
S.E.: Stroke end

RCS4-SA4R

Stroke	550	600	650	700	750	800	
L	696.5	746.5	796.5	846.5	896.5	946.5	
A	658	708	758	808	858	908	
B	634	684	734	784	834	884	
C	100	50	100	50	100	50	
D	5	6	6	7	7	8	
E	14	16	16	18	18	20	
F	50	100	50	100	50	100	
G	5	5	6	6	7	7	
H	18	18	20	20	22	22	
J	485	585	585	685	685	785	
K	500	600	600	700	700	800	
Mass (kg)	without brake	2.4	2.5	2.6	2.6	2.7	2.8
	with brake	2.6	2.7	2.8	2.8	2.9	3.0
max. speed (mm/s)	Lead 2.5	Not supported					
	Lead 5	Not supported					
	Lead 10	465	395	340	300	260	Not supported
	Lead 16	735	630	540	470	415	365

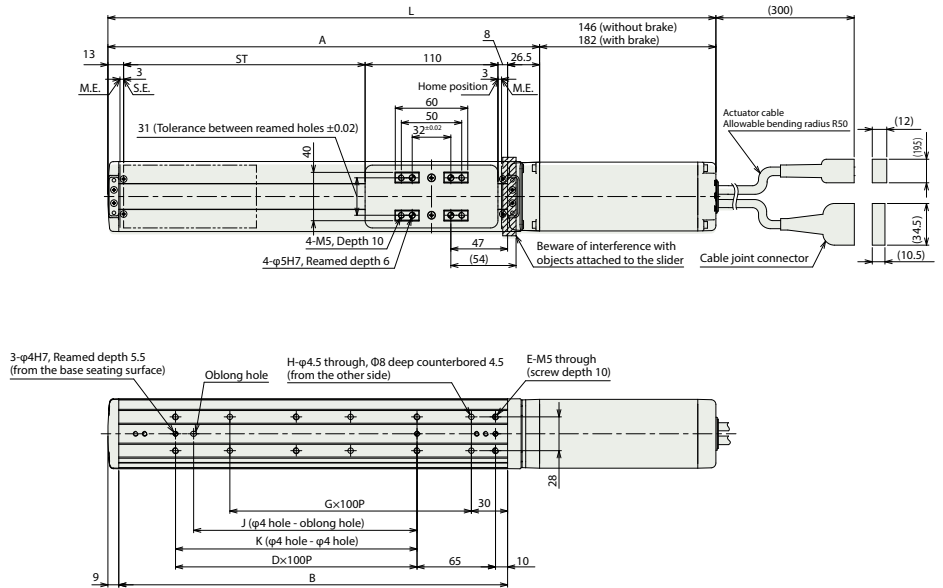


ST: Stroke
M.E.: Mechanical end
S.E.: Stroke end

Non-standard stroke specification Dimensions/Mass/Max. speed

■ RCS4-SA6C / RCS4CR-SA6C

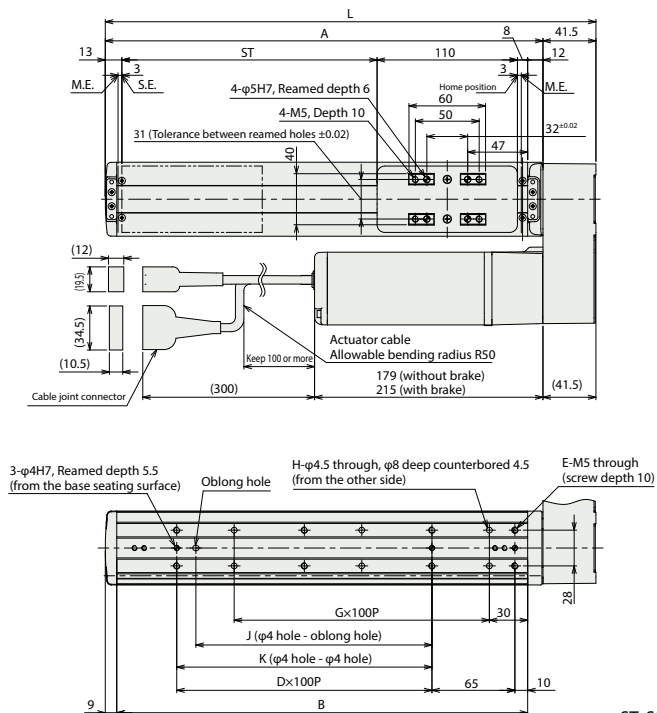
Stroke	850	900	950	1000	
L	without brake	1153.5	1203.5	1253.5	1303.5
	with brake	1189.5	1239.5	1289.5	1339.5
A	1007.5	1057.5	1107.5	1157.5	
B	972	1022	1072	1122	
D	8	9	9	10	
E	20	22	22	24	
G	9	9	10	10	
H	20	20	22	22	
J	785	885	885	985	
K	800	900	900	1000	
Mass (kg)	without brake	4.8	5.0	5.2	5.3
	with brake	5.1	5.3	5.5	5.6
max. speed (mm/s)	Lead 3	Not supported			
	Lead 6	Not supported			
	Lead 12	280	Not supported		
	Lead 20	515	465	420	380
	Lead 30	770	700	630	570



ST: Stroke
M.E.: Mechanical end
S.E.: Stroke end

■ RCS4-SA6R

Stroke	850	900	950	1000	
L	1034.5	1084.5	1134.5	1184.5	
A	993	1043	1093	1143	
B	972	1022	1072	1122	
D	8	9	9	10	
E	20	22	22	24	
G	9	9	10	10	
H	20	20	22	22	
J	785	885	885	985	
K	800	900	900	1000	
Mass (kg)	without brake	5.2	5.4	5.5	5.7
	with brake	5.5	5.7	5.8	6.0
max. speed (mm/s)	Lead 3	Not supported			
	Lead 6	Not supported			
	Lead 12	280	Not supported		
	Lead 20	515	465	420	380
	Lead 30	770	700	630	570

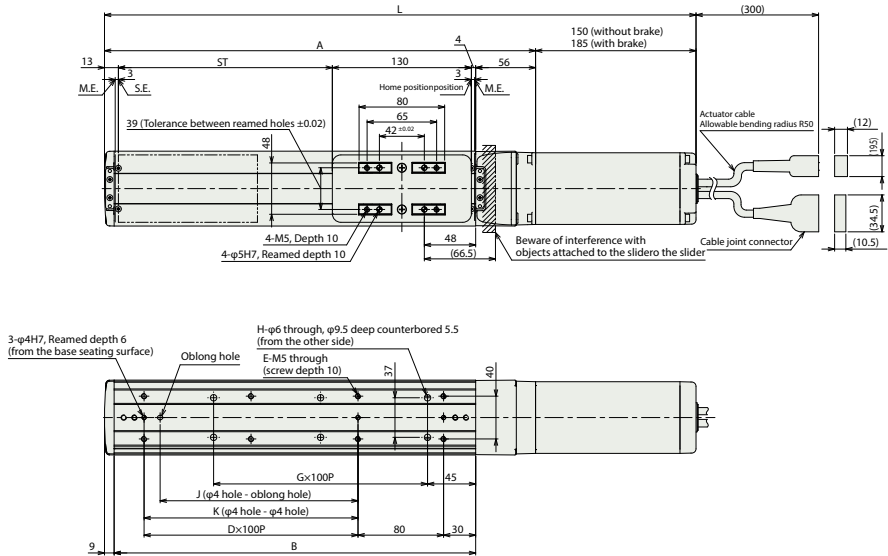


ST: Stroke
M.E.: Mechanical end
S.E.: Stroke end

Non-standard stroke specification Dimensions/Mass/Max. speed

RCS4-SA7C / RCS4CR-SA7C

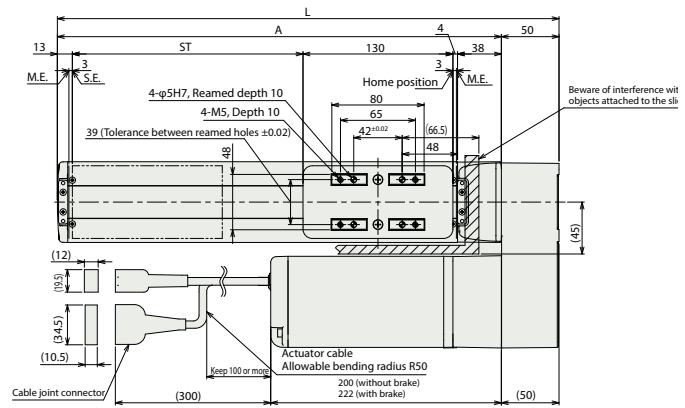
Stroke		850	900	950	1000	1050	1100	1150	1200
L	without brake	1203	1253	1303	1353	1403	1453	1503	1553
	with brake	1238	1288	1338	1388	1438	1488	1538	1588
A		1053	1103	1153	1203	1253	1303	1353	1403
B		988	1038	1088	1138	1188	1238	1288	1338
D		8	9	9	10	10	11	11	12
E		20	22	22	24	24	26	26	28
G		9	9	10	10	11	11	12	12
H		20	20	22	22	24	24	26	26
J		785	885	885	985	985	1085	1085	1185
K		800	900	900	1000	1000	1100	1100	1200
Mass (kg)	without brake	7.3	7.6	7.8	8.0	8.3	8.5	8.7	9.0
	with brake	7.8	8.1	8.3	8.5	8.8	9.0	9.2	9.5
max. speed (mm/s)	Lead 4	Not supported							
	Lead 8	Not supported							
	Lead 16	445	400	365	330	300	Not supported		
	Lead 24	680	615	555	505	460	425	390	360
	Lead 36	1010	910	820	750	680	630	580	530



ST: Stroke
M.E.: Mechanical end
S.E.: Stroke end

RCS4-SA7R

Stroke		850	900	950	1000	1050	1100	1150	1200
L		1085	1135	1185	1235	1285	1335	1385	1435
A		1035	1085	1135	1185	1235	1285	1335	1385
B		988	1038	1088	1138	1188	1238	1288	1338
D		8	9	9	10	10	11	11	12
E		20	22	22	24	24	26	26	28
G		9	9	10	10	11	11	12	12
H		20	20	22	22	24	24	26	26
J		785	885	885	985	985	1085	1085	1185
K		800	900	900	1000	1000	1100	1100	1200
Mass (kg)	without brake	8.1	8.3	8.6	8.8	9.1	9.3	9.5	9.8
	with brake	8.6	8.8	9.1	9.3	9.6	9.8	10.0	10.3
max. speed (mm/s)	Lead 4	Not supported							
	Lead 8	Not supported							
	Lead 16	445	400	365	330	300	Not supported		
	Lead 24	680	615	555	505	460	425	390	360
	Lead 36	1010	910	820	750	680	630	580	530

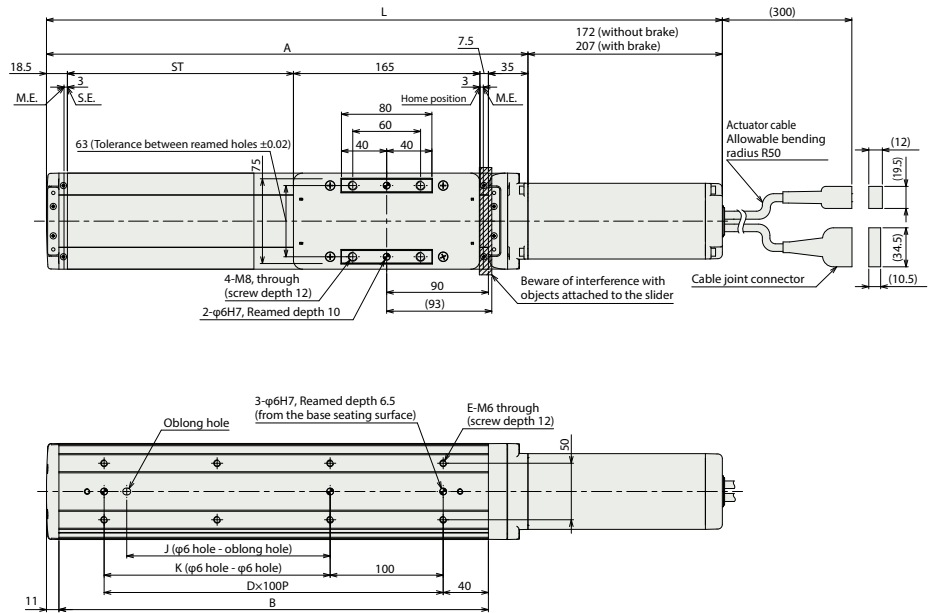


ST: Stroke
M.E.: Mechanical end
S.E.: Stroke end

Non-standard stroke specification Dimensions/Mass/Max. speed

■ RCS4-SA8C / RCS4CR-SA8C

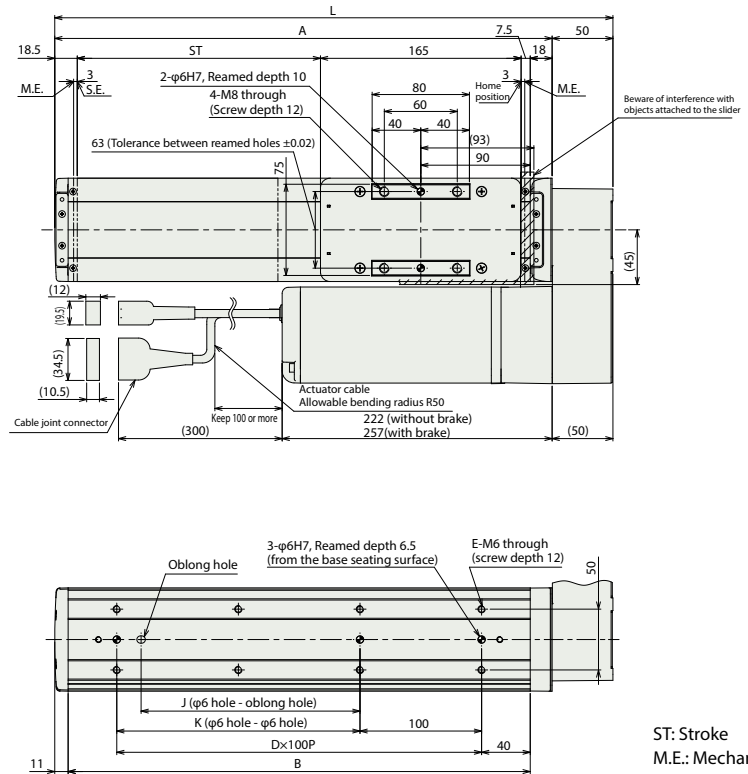
Stroke		1150	1200	1250	1300
L	without brake	1548	1598	1648	1698
	with brake	1583	1633	1683	1733
	A	1376	1426	1476	1526
B		1330	1380	1430	1480
D		12	13	13	14
E		26	28	28	30
J		1080	1180	1180	1280
K		1100	1200	1200	1300
Mass (kg)	without brake	11.1	11.4	11.7	12.0
	with brake	11.6	11.9	12.2	12.5
max. speed (mm/s)	Lead 5	Not supported			
	Lead 10	Not supported			
	Lead 20	405	375	345	320
	Lead 30	610	565	525	485
	Lead 48	1030	950	880	820



ST: Stroke
M.E.: Mechanical end
S.E.: Stroke end

■ RCS4-SA8R

Stroke		1150	1200	1250	1300
L	without brake	1409	1459	1509	1559
	with brake	1359	1409	1459	1509
	A	1330	1380	1430	1480
B		1330	1380	1430	1480
D		12	13	13	14
E		26	28	28	30
J		1080	1180	1180	1280
K		1100	1200	1200	1300
Mass (kg)	without brake	12.0	12.3	12.6	12.8
	with brake	12.5	12.8	13.1	13.3
max. speed (mm/s)	Lead 5	Not supported			
	Lead 10	Not supported			
	Lead 20	405	375	345	320
	Lead 30	610	565	525	485
	Lead 48	1030	950	880	820

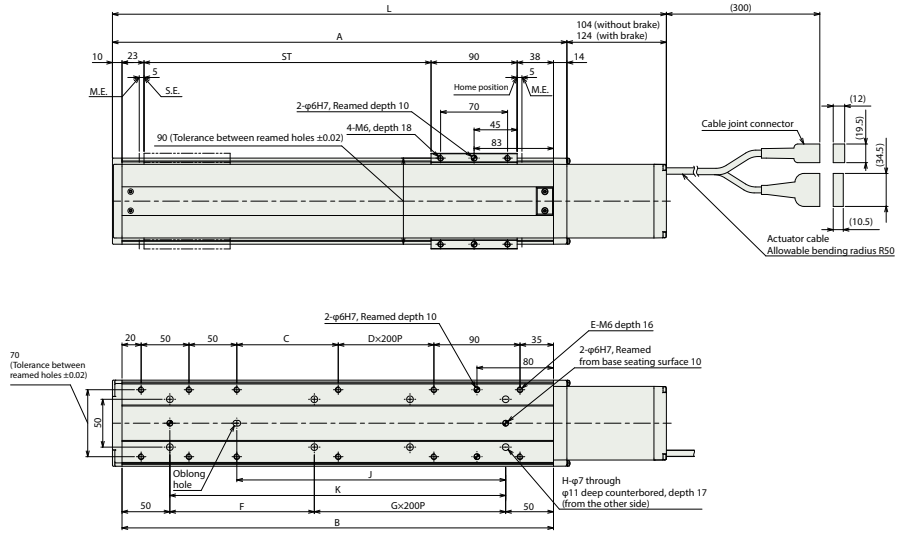


ST: Stroke
M.E.: Mechanical end
S.E.: Stroke end

Non-standard stroke specification Dimensions/Mass/Max. speed

■ ISB-SXM-60 / ISPB-SXM-60

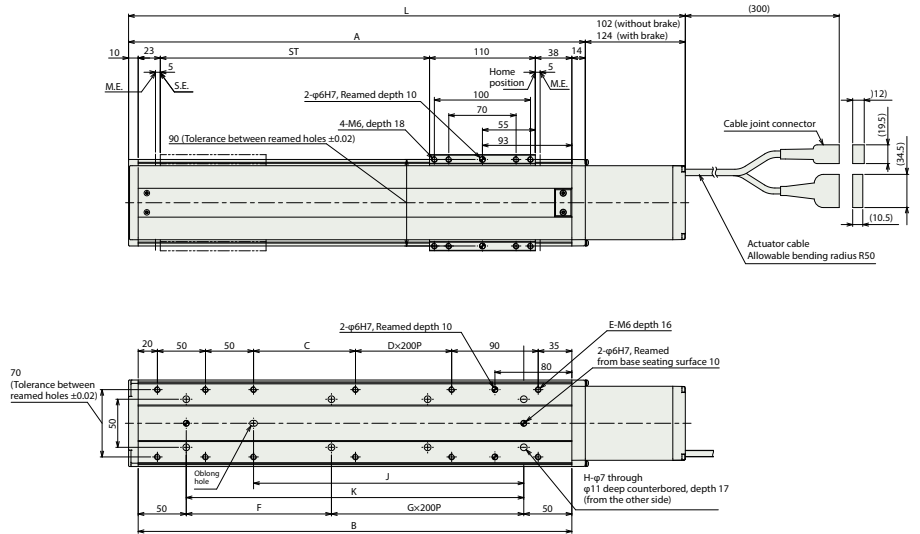
Stroke		950	1000	1050	1100	
L	60W	without brake	1229	1279	1329	1379
	with brake	1249	1299	1349	1399	
A		1125	1175	1225	1275	
B		1101	1151	1201	1251	
C		256	106	156	206	
D		3	4	4	4	
E		16	18	18	18	
F		201	251	101	151	
G		4	4	5	5	
H		12	12	14	14	
J		931	981	1031	1081	
K		1001	1051	1101	1151	
Mass (kg)	60W	without brake	9.1	9.5	9.8	10.2
	with brake	9.4	9.7	10.1	10.4	
max. speed (mm/s)	Lead 4		80	80	70	70
	Lead 8		170	170	140	140
	Lead 16		340	340	285	285



ST: Stroke
M.E.: Mechanical end
S.E.: Stroke end

■ ISB-SXL-60 / ISPB-SXL-60

Stroke		930	980	1030	1080	
L	60W	without brake	1229	1279	1329	1379
	with brake	1249	1299	1349	1399	
A		1125	1175	1225	1275	
B		1101	1151	1201	1251	
C		256	106	156	206	
D		3	4	4	4	
E		16	18	18	18	
F		201	251	101	151	
G		4	4	5	5	
H		12	12	14	14	
J		931	981	1031	1081	
K		1001	1051	1101	1151	
Mass (kg)	60W	without brake	9.2	9.6	9.9	10.3
	with brake	9.5	9.8	10.2	10.5	
max. speed (mm/s)	Lead 4		80	80	70	70
	Lead 8		170	170	140	140
	Lead 16		340	340	285	285

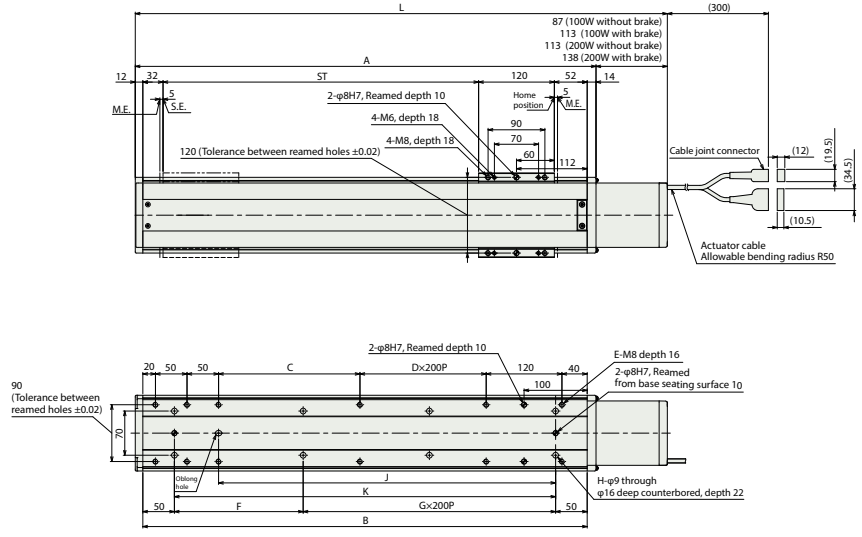


ST: Stroke
M.E.: Mechanical end
S.E.: Stroke end

Non-standard stroke specification Dimensions/Mass/Max. speed

■ ISB-MXM-100 / ISB-MXM-200 / ISPB-MXM-100 / ISPB-MXM-200

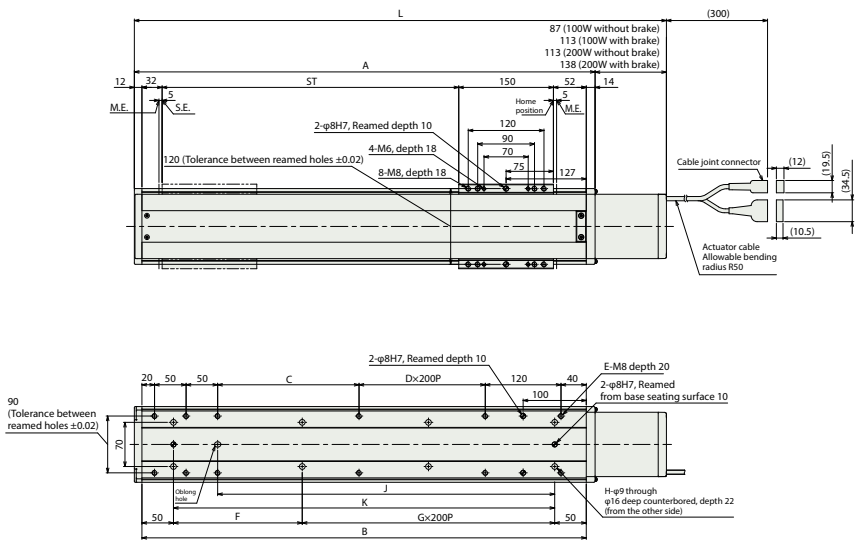
		Stroke	1150	1200	1250	1300	
L	100W	without brake	1467	1517	1567	1617	
		with brake	1493	1543	1593	1643	
	200W	without brake	1493	1543	1593	1643	
		with brake	1518	1568	1618	1668	
	A			1380	1430	1480	1530
	B			1354	1404	1454	1504
C			274	124	174	224	
D			4	5	5	5	
E			18	20	20	20	
F			254	104	154	204	
G			5	6	6	6	
H			14	16	16	16	
J			1184	1234	1284	1334	
K			1254	1304	1354	1404	
Mass (kg)	100W	without brake	19.3	19.9	20.6	21.2	
	with brake	19.8	20.4	21.0	21.7		
max. speed (mm/s)	200W	without brake	19.8	20.4	21.0	21.7	
	with brake	20.3	21.0	21.6	22.2		
		Lead 5	Not supported				
		Lead 10	190	190	165	165	
		Lead 20	390	390	335	335	
		Lead 30	575	575	500	500	



ST: Stroke
M.E.: Mechanical end
S.E.: Stroke end

■ ISB-MXL-100 / ISB-MXL-200 / ISPB-MXL-100 / ISPB-MXL-200

		Stroke	1120	1170	1220	1270	
L	100W	without brake	1467	1517	1567	1617	
		with brake	1493	1543	1593	1643	
	200W	without brake	1493	1543	1593	1643	
		with brake	1518	1568	1618	1668	
	A			1380	1430	1480	1530
	B			1354	1404	1454	1504
C			274	124	174	224	
D			4	5	5	5	
E			18	20	20	20	
F			254	104	154	204	
G			5	6	6	6	
H			14	16	16	16	
J			1184	1234	1284	1334	
K			1254	1304	1354	1404	
Mass (kg)	100W	without brake	19.6	20.2	20.9	21.5	
	with brake	20.1	20.7	21.3	22.0		
max. speed (mm/s)	200W	without brake	20.1	20.7	21.3	22.0	
	with brake	20.6	21.3	21.9	22.5		
		Lead 5	Not supported				
		Lead 10	190	190	165	165	
		Lead 20	390	390	335	335	
		Lead 30	575	575	500	500	

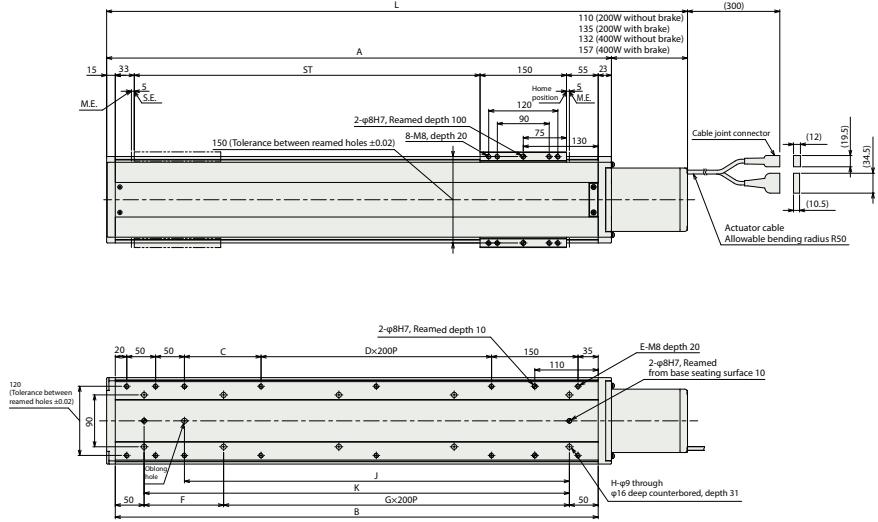


ST: Stroke
M.E.: Mechanical end
S.E.: Stroke end

Non-standard stroke specification Dimensions/Mass/Max. speed

■ ISB-LXM-200 / ISB-LXM-400 / ISPB-LXM-200 / ISPB-LXM-400

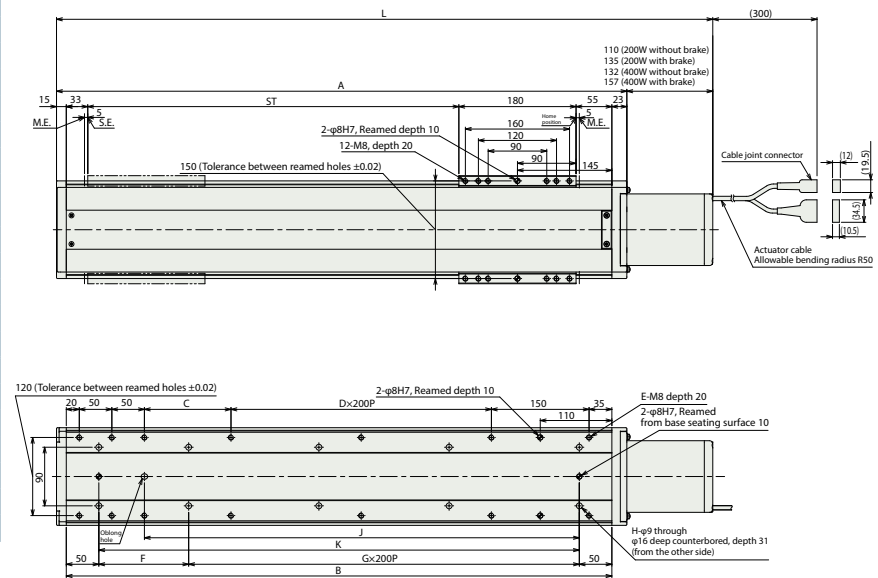
Stroke		1350	1400	1450	1500	1550	1600	
L	200W	without brake	1736	1786	1836	1886	1936	1986
		with brake	1761	1811	1861	1911	1961	2011
	400W	without brake	1758	1808	1858	1908	1958	2008
		with brake	1783	1833	1883	1933	1983	2033
A		1626	1676	1726	1776	1826	1876	
B		1588	1638	1688	1738	1788	1838	
C		283	133	183	233	283	333	
D		5	6	6	6	6	7	
E		20	22	22	22	22	24	
F		288	138	188	238	288	338	
G		6	7	7	7	7	8	
H		16	18	18	18	18	20	
J		1418	1468	1518	1568	1618	1668	
K		1488	1538	1588	1638	1688	1738	
Mass (kg)	200W	without brake	31.0	31.9	32.8	33.6	34.5	35.4
		with brake	31.6	32.5	33.4	34.2	35.1	36.0
	400W	without brake	31.5	32.4	33.2	34.1	35.0	35.8
		with brake	32.1	33.0	33.8	34.7	35.6	36.4
max. speed (mm/s)	Lead 10	185	185	160	160	145	145	
	Lead 20	370	370	330	330	290	290	
	Lead 40	740	740	650	650	580	580	



ST: Stroke
M.E.: Mechanical end
S.E.: Stroke end

■ ISB-LXL-200 / ISB-LXL-400 / ISPB-LXL-200 / ISPB-LXL-400

Stroke		1320	1370	1420	1470	1520	1570	
L	200W	without brake	1736	1786	1836	1886	1936	1986
		with brake	1761	1811	1861	1911	1961	2011
	400W	without brake	1758	1808	1858	1908	1958	2008
		with brake	1783	1833	1883	1933	1983	2033
A		1626	1676	1726	1776	1826	1876	
B		1588	1638	1688	1738	1788	1838	
C		283	133	183	233	283	333	
D		5	6	6	6	6	7	
E		20	22	22	22	22	24	
F		288	138	188	238	288	338	
G		6	7	7	7	7	8	
H		16	18	18	18	18	20	
J		1418	1468	1518	1568	1618	1668	
K		1488	1538	1588	1638	1688	1738	
Mass (kg)	200W	without brake	31.5	32.4	33.2	34.1	35.0	35.8
		with brake	32.1	33.0	33.8	34.7	35.6	36.4
	400W	without brake	31.9	32.8	33.7	34.6	35.4	36.3
		with brake	32.5	33.4	34.3	35.2	36.0	36.9
max. speed (mm/s)	Lead 10	185	185	160	160	145	145	
	Lead 20	370	370	330	330	290	290	
	Lead 40	740	740	650	650	580	580	

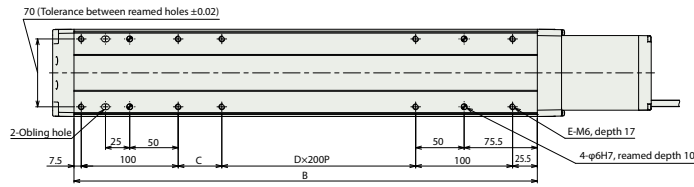
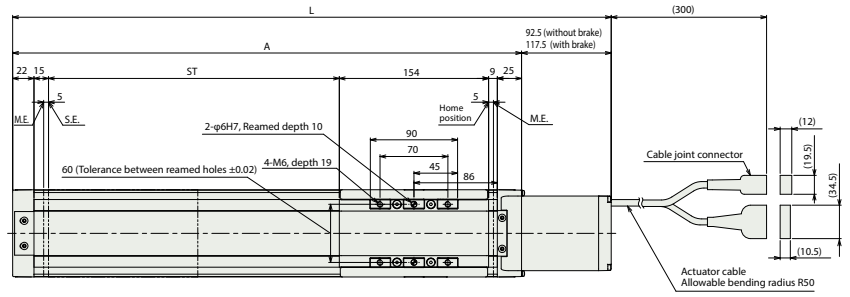


ST: Stroke
M.E.: Mechanical end
S.E.: Stroke end

Non-standard stroke specification Dimensions/Mass/Max. speed

ISDB-S-60 / ISPDB-S-60 / ISDBCR-S-60 / ISPDBCR-S-60

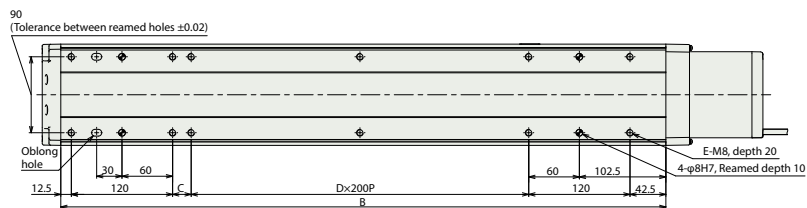
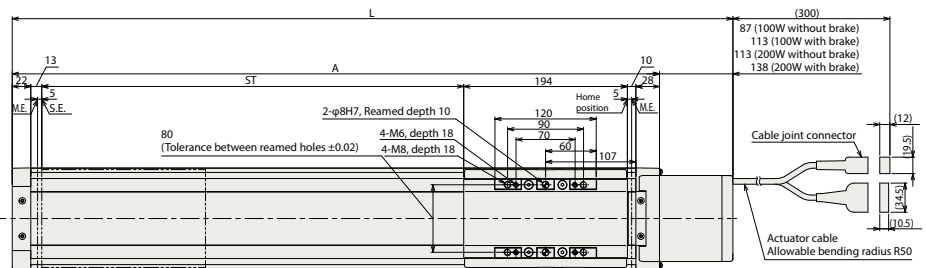
Stroke		850	900	950	1000	1050	1100
L	60W without brake	1167.5	1217.5	1267.5	1317.5	1367.5	1417.5
	60W with brake	1192.5	1242.5	1292.5	1342.5	1392.5	1442.5
	A	1075	1125	1175	1225	1275	1325
	B	1028	1078	1128	1178	1228	1278
	C	195	45	95	145	195	45
D	3	4	4	4	4	5	
E	14	16	16	16	16	18	
Mass (kg)	60W without brake	9.5	9.8	10.2	10.6	10.9	11.3
	60W with brake	9.7	10.0	10.4	10.8	11.1	11.5
	CR without brake	9.6	9.9	10.3	10.7	11.0	11.4
	CR with brake	9.8	10.1	10.5	10.9	11.2	11.6
max. speed (mm/s)	Lead 4	105	95	85	75	70	65
	Lead 8	210	190	175	160	145	130
	Lead 16	430	390	350	320	295	270



ST: Stroke
M.E.: Mechanical end
S.E.: Stroke end

ISDB-M-100 / ISDB-M-200 / ISPDB-M-100 / ISPDB-M-200 / ISDBCR-M-100 / ISDBCR-M-200 / ISPDBCR-M-100 / ISPDBCR-M-200

Stroke		1150	1200	1250	1300
L	100W without brake	1504	1554	1604	1654
	100W with brake	1530	1580	1630	1680
	200W without brake	1530	1580	1630	1680
	200W with brake	1555	1605	1655	1705
A	1417	1467	1517	1567	
B	1367	1417	1467	1517	
C	72	122	172	22	
D	5	5	5	6	
E	18	18	18	20	
Mass (kg)	100W without brake	20.8	21.4	22.0	22.7
	100W with brake	21.1	21.7	22.3	23.0
	200W without brake	21.1	21.7	22.4	23.0
	200W with brake	21.5	22.1	22.8	23.4
	CR without brake	20.7	21.3	22.0	22.6
	CR 100W with brake	21.0	21.6	22.3	22.9
	CR 200W without brake	21.1	21.7	22.4	23.0
	CR 200W with brake	21.5	22.1	22.8	23.4
max. speed (mm/s)	Lead 5	Not supported			
	Lead 10	200	185	170	160
	Lead 20	400	370	345	320
	Lead 30	600	555	515	480

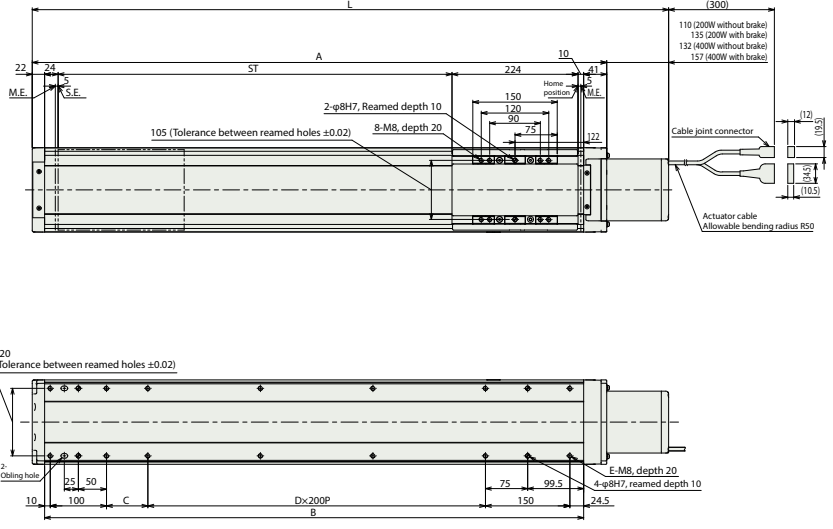


ST: Stroke
M.E.: Mechanical end
S.E.: Stroke end

Non-standard stroke specification Dimensions/Mass/Max. speed

ISDB-L-200 / ISDB-L-400 / ISPDB-L-200 / ISPDB-L-400 / ISDBCR-L-200 / ISDBCR-L-400 / ISPDBCR-L-200 / ISPDBCR-L-400

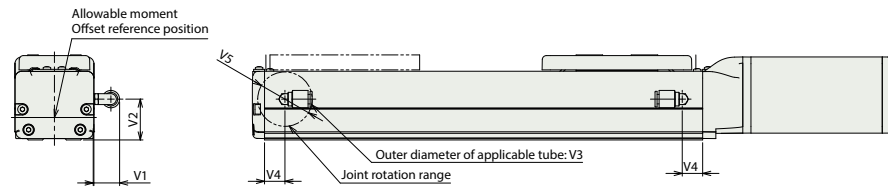
Stroke		1350	1400	1450	1500	1550	1600	
L	200W	without brake	1781	1831	1881	1931	1981	2031
		with brake	1806	1856	1906	1956	2006	2056
	400W	without brake	1803	1853	1903	1953	2003	2053
		with brake	1828	1878	1928	1978	2028	2078
	A		1671	1721	1771	1821	1871	1921
B		1608	1658	1708	1758	1808	1858	
C		123.5	173.5	23.5	73.5	123.5	173.5	
D		6	6	7	7	7	7	
E		20	20	22	22	22	22	
Mass (kg)	200W	without brake	33.6	34.4	35.3	36.2	37.0	37.9
		with brake	34.1	34.9	35.8	36.7	37.5	38.4
	400W	without brake	34.0	34.8	35.7	36.6	37.4	38.3
		with brake	34.5	35.3	36.2	37.1	37.9	38.8
	CR	without brake	33.3	34.1	35.0	35.8	36.7	37.5
	200W	with brake	33.8	34.6	35.5	36.3	37.2	38.0
		without brake	33.7	34.5	35.4	36.2	37.1	37.9
	400W	with brake	34.2	35.0	35.9	36.7	37.6	38.4
max. speed (mm/s)		Lead 10	185	175	165	155	145	135
	Lead 20	380	355	335	315	295	280	
	Lead 40	760	710	670	630	590	560	



ST: Stroke
M.E.: Mechanical end
S.E.: Stroke end

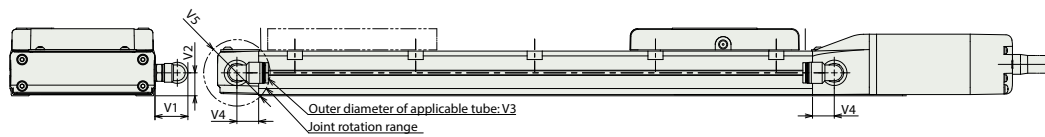
With Joint Specification Mounting Dimensions

■ RCP6 (S) and RCS4 Series Slider Type



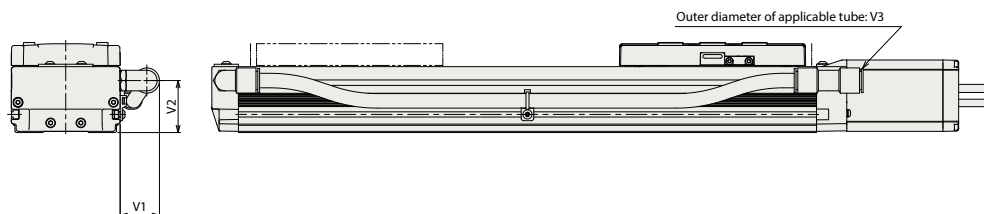
Model	V1	V2	V3	V4	V5
RCP6(S)-SA4C / SA4R RCS4-SA4C / SA4R	18.9	28	φ6	6	φ42
RCP6(S)-SA6C / SA6R RCS4-SA6C / SA6R	18.9	30	φ6	15	φ42
RCP6(S)-SA7C / SA7R RCS4-SA7C / SA7R	25.5	36.5	φ8	15	φ49
RCP6(S)-SA8C / SA8R RCS4-SA8C / SA8R	25.5	40	φ8	15	φ49

■ RCP6 (S) and RCS4 Series Wide Slider Type



Model	V1	V2	V3	V4	V5
RCP6(S)-WSA10C / WSA10R RCS4-WSA10C / WSA10R	23.8	16.5	φ8	15.5	φ48
RCP6(S)-WSA12C / WSA12R RCS4-WSA12C / WSA12R	27.3	19	φ10	18	φ55
RCP6(S)-WSA14C / WSA14R RCS4-WSA14C / WSA14R	27.3	22.5	φ10	19	φ55
RCP6(S)-WSA16C / WSA16R RCS4-WSA16C / WSA16R	27.3	25.5	φ10	18	φ55

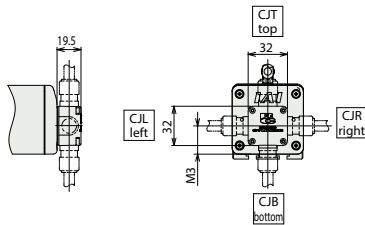
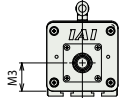
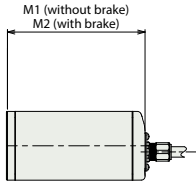
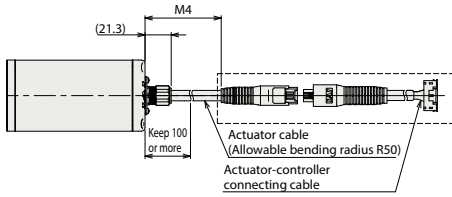
■ ISDB Series Slider Type



Model	V1	V2	V3
IS(P)DB-S	32.5	43	φ12
IS(P)DB-M / MX	32.5	55.5	φ12
IS(P)DB-L / LX	32.5	66.5	φ12

Actuator Cable Exit Specification Dimensions

Slider/Rod/Radial cylinder/Table type (Motor straight)

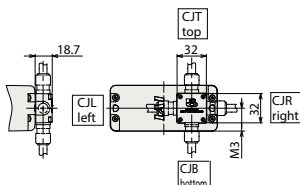
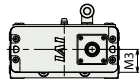
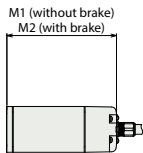
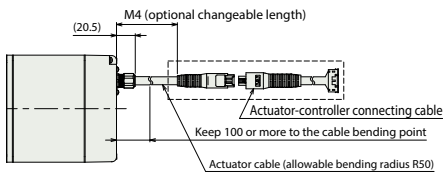


Cable exit direction (optional)

Model	M1	M2	M3
RCP6(CR)-SA4C / RCP6-RA4C RCP6-RR44C / RCP6-TA4C	125	156	22
RCP6(CR)-SA6C / RCP6-RA6C RCP6-RR66C / RCP6-TA6C	112	153	23
RCP6(CR)-SA7C / RCP6-RA7C RCP6-RR77C / RCP6-TA7C	139	189	23

Dedicated model	M4
ZAC03	300
ZAC20	2000

Wide slider / Wide radial cylinder type (motor straight)

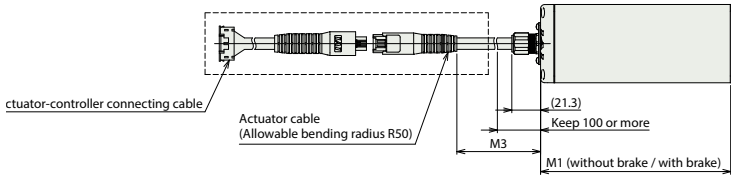


Model	M1	M2	M3
RCP6(CR)-WSA10C / RCP6-WRA10C	131	161	20.5
RCP6(CR)-WSA12C / RCP6-WRA12C	119.8	169.8	25
RCP6(CR)-WSA14C / RCP6-WRA14C	148	198	31

Dedicated model	M4
ZAC03	300
ZAC20	2000

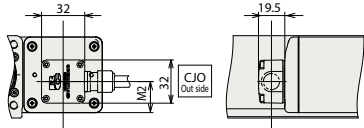
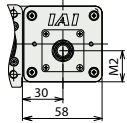
Actuator Cable Exit Specification Dimensions

Slider/Rod/Radial cylinder/Table type (Side-mounted motor)



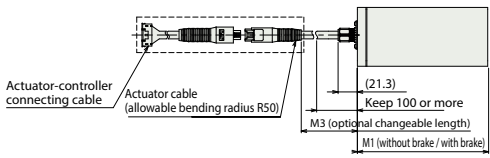
Model	M1	M2
RCP6-SA4R / RCP6-RA4R RCP6-RRA4R / RCP6-TA4R	145	20
RCP6-SA6R / RCP6-RA6R RCP6-RRA6R / RCP6-TA6R	141	23
RCP6-SA7R / RCP6-RA7R RCP6-RRA7R / RCP6-TA7R	169	34

Dedicated model	M3
ZAC03	300
ZAC20	2000



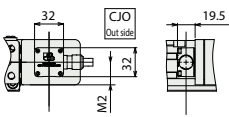
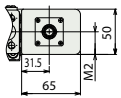
Cable exit direction (optional)

Wide slider / Wide radial cylinder type (side-mounted motor)



Model	M1	M2
RCP6-WSA10R / RCP6-WRA10R	145	20
RCP6-WSA12R / RCP6-WRA12R	145	25
RCP6-WSA14R / RCP6-WRA14R	183	31

Dedicated model	M3
ZAC03	300
ZAC20	2000



Cable exit direction (optional)

IAI America, Inc.

USA Headquarters & Western Region (Los Angeles): 2690 W. 237th Street, Torrance, CA 90505 (800) 736-1712

Midwest Branch Office (Chicago): 110 E. State Pkwy, Schaumburg, IL 60173 (800) 944-0333

Southeast Branch Office (Atlanta): 1220 Kennestone Circle, Suite 108, Marietta, GA 30066 (678) 354-9470

www.intelligentactuator.com

JAPAN Headquarters: 577-1 Obane, Shimizu-ku, Shizuoka-shi, Shizuoka, 424-0103, JAPAN

The information contained in this product brochure may change without prior notice due to product improvements.

IAI Industrieroboter GmbH

Ober der Röth 4, D-65824 Schwalbach am Taunus, Germany

IAI (Shanghai) Co., Ltd.

Shanghai Jiahua Business Center A8-303, 808,
Hongqiao Rd., Shanghai 200030, China

IAI Robot (Thailand) Co., Ltd.

825 Phairojkijja Tower 7th Floor, Debaratana Rd.,
Bangna Nuea, Bangna, Bangkok 10260, Thailand